



**Buzon®**

*Raising the world  
to a higher level*



[www.buzon-world.com](http://www.buzon-world.com)

## **Product Catalogue 2020**

**DPH Series  
U-BRS System**



**1**  
DPH SERIES



## DPH-Series

The strong and hard-wearing **DPH pedestal** is the eldest member of the Buzon® pedestal family. With their adjustable height of **18 to 1070 mm**, adjustment ring and PH5 integrated slope corrector (up to 5%), they are the ideal support for use in public spaces or on major construction projects.

The DPH pedestal maintains its strength and stability even under heavy and frequent use. Thanks to its reinforced structure, it is particularly recommended for use with heavier floor coverings such as large-format concrete slabs.

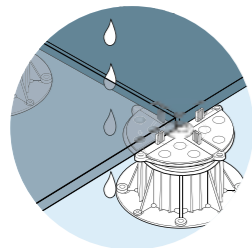
# Laying on pedestals

Creating a terrace in a conventional manner is not always easy. Expansion of the joints, water runoff, control of slopes, etc. All these problems strongly compromise the durability of the terrace. It's in this context that laying on pedestals quickly became a requirement, responding to all the constraints encountered on the sites.

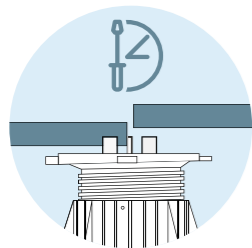
With professional queries, Buzon® was able to respond to market expectations and develop solutions and products for all types of projects. Residential terraces, flat roof terraces, garden landscaping, fountain terraces, podiums, marquees, technical floors for industrial applications, etc... Buzon® offers solutions for each project.



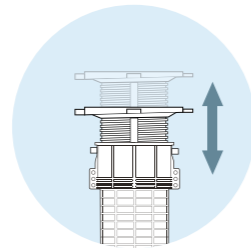
## ADVANTAGES:



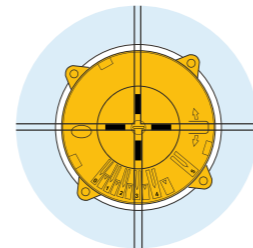
Presence of open joints avoiding all risks of cracking compared to closed joints. Water runoff and drainage is made easier.



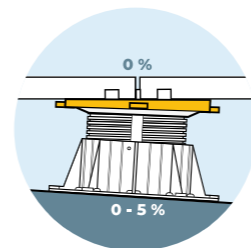
Quick and easy installation



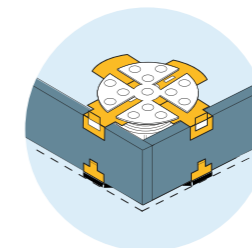
Pedestals adjustable from 18 to 1070 mm



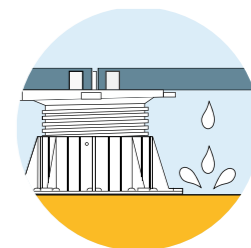
High stability due to a large head of the pedestal



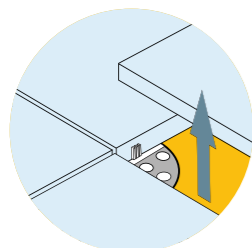
Easy and precise slope correction up to 5%



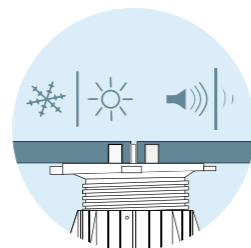
A broad series of accessories for the terrace finish



Protection of the waterproofing membrane



Easy access to the waterproofing membrane or substructure



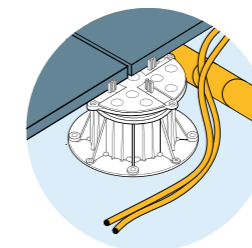
Better thermal and acoustic insulation



Sustainable solution



A system supporting heavy loads



Concealing services



100% recyclable

## DPH range without integrated slope corrector

It is possible to fix the DPH-PH5 slope corrector on the top of the pedestal and/or the U-PH5 slope corrector under the pedestal base.

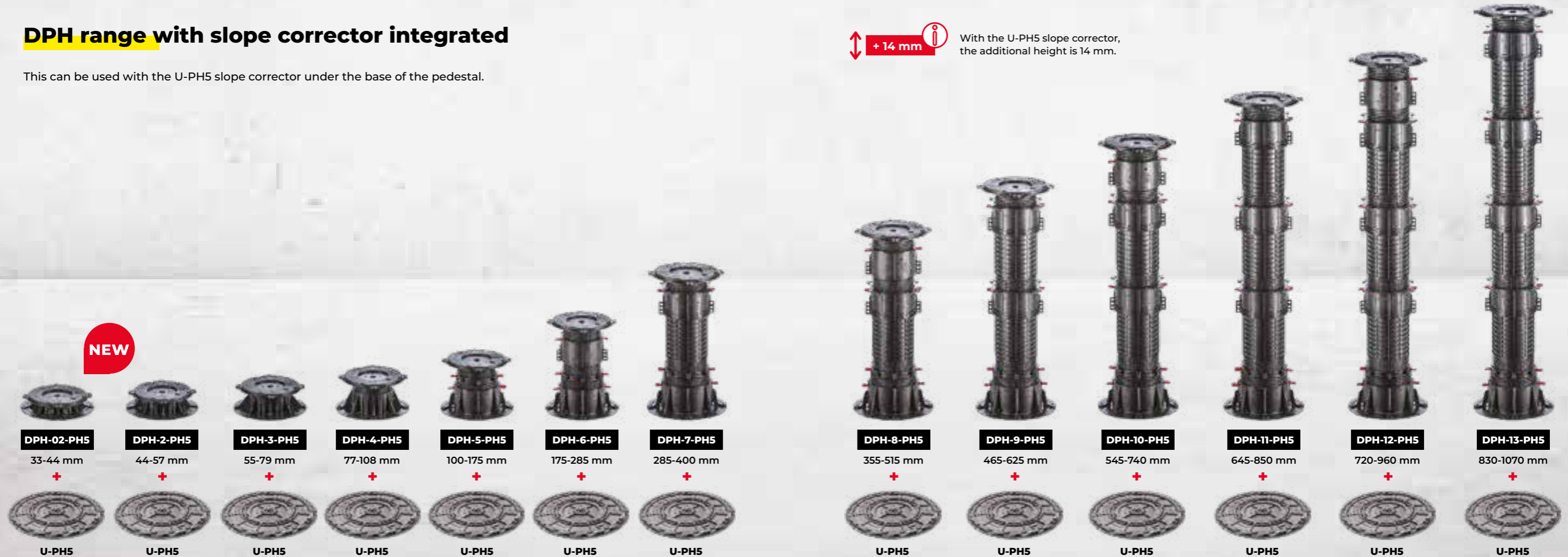


+9 mm  
or  
+14 mm  
or  
+23 mm

The total height of the pedestal will be 9 mm higher with the DPH-PH5 corrector, 14 mm with the U-PH5, and 23 mm with the two correctors.

## DPH range with slope corrector integrated

This can be used with the U-PH5 slope corrector under the base of the pedestal.



+ 14 mm

With the U-PH5 slope corrector, the additional height is 14 mm.

## Our DPH range

■ Fixed ■ Adjustable

Detailed information on slope correctors can be found on pp. 35 to 39.

# Composition of the DPH pedestal

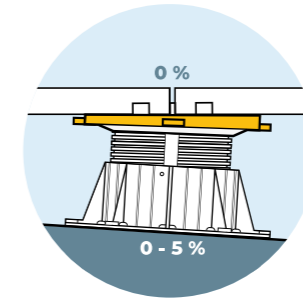
## Top of the pedestal

The top of the pedestal is screwed directly onto the base, or onto the couplers. The top of the pedestal, on which various components can be applied to support different surfaces, has a diameter of 155 mm.

Various accessories are fixed on the top of the pedestal to respond to the problems encountered on site.

**DPH-5-PH5-NSC**

Diameter of the top 155 mm, surface 188 cm<sup>2</sup>



## Integrated slope corrector

For the DPH range of pedestals, which starts with the DPH-02-PH5, the slope corrector is integrated in the top of the pedestal. It creates a counter-slope of 0 to 5% at intervals of 0.5 %, which facilitates the installation of a horizontal or inclined terrace.

## Couplers

The couplers are interposed by screws between the base and the top of the pedestal. Thanks to these couplers, the pedestals can reach a height of 1,070 mm.

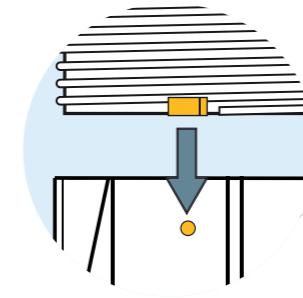
**DPH-C2**

H: + 75 mm to + 116 mm



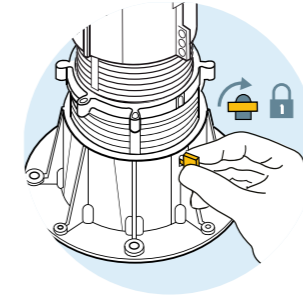
**DPH-C5**

H: + 182 mm to + 225 mm



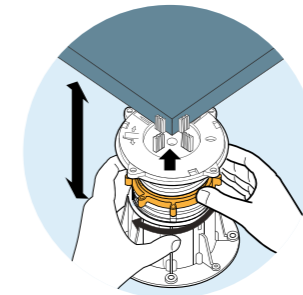
## Security system

The pedestal in the DPH series are equipped with a safety locking system preventing each element from over rotating when the maximum height is reached.



## Locking keys

The locking keys, positioned on each side, lock the pedestal at the desired height and provide increased stability when the height exceeds 100 mm.



## Adjustment ring

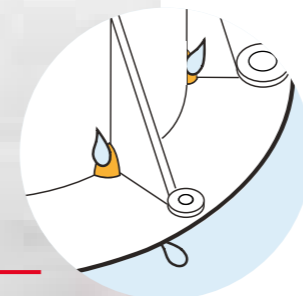
The adjustment ring, with inverted screw pitch, adjusts the height of the pedestal to the millimetre once it is installed.

## Base of the pedestal

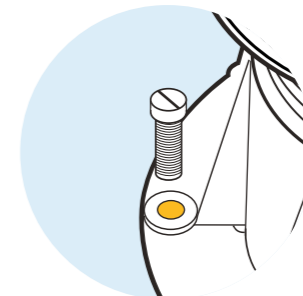
The base can be simply laid or fixed on any type of compatible substrate.

**DPH-5-PH5-NSC**

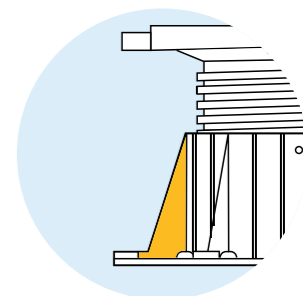
Base diameter 200 mm, surface 314 cm<sup>2</sup>



8 holes at the base of the pedestal ensure complete drainage



8 holes around the base enable the mechanical fixing of the pedestal to the substrate



Lateral reinforcements give structural support which improves the stability and strength of the pedestal

The detailed composition of the pedestal is shown on pp. 68 to 74.





“The advantages of the DPH range”

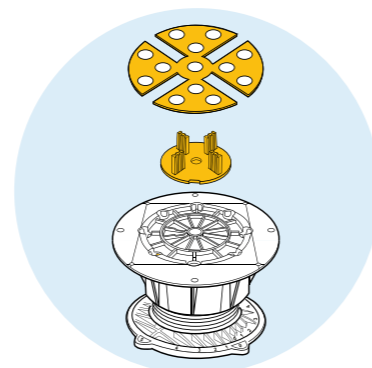
## UPSIDE DOWN system

If the application requires a larger support surface, for example near walls and vertical upstands, the DPH-02-PH5 to DPH-13-PH5 pedestal models can also be used in the inverted position.

It is still possible to use accessories with inverted DPH pedestals. The tabs, leveller, U-Wall and U-Edge brackets remain compatible.

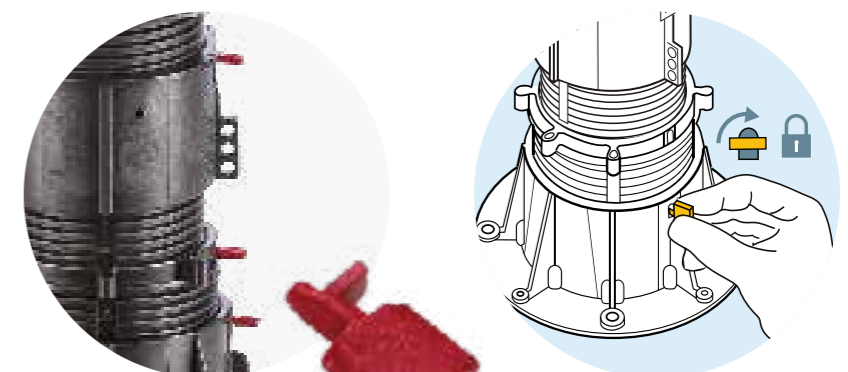


DPH-5-PH5 INVERTED



## Locking keys

These keys lock the pedestal to the required height.



U-KEY



## DPH accessories

We have a range of accessories that complement our DPH support systems to facilitate the creation of terraces. Whatever the configuration of the site, we offer easy and reliable solutions to the various problems encountered on sites.

“

**“A multitude  
of possibilities”**



## Levellers

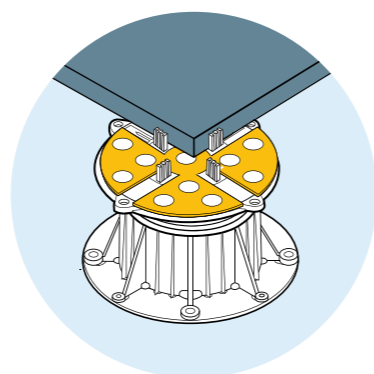
The **U-E10** or **U-E20** leveller is a 1 or 2 mm shim in the shape of a maltese cross. It stabilises the pavement, provides acoustic capabilities and compensates for the tolerances in the paving thickness.



**U-E10**  
1 mm



**U-E20**  
2 mm



## Spacer tabs

The **DPH TABS** are available in different thicknesses: 2 mm, 3 mm, 4.5 mm, 6 mm, 8 mm and 10 mm. They guarantee a uniform alignment of the pavers placed on the top of the Buzon® pedestal.



**H-17**  
2 mm



**H-17**  
3 mm

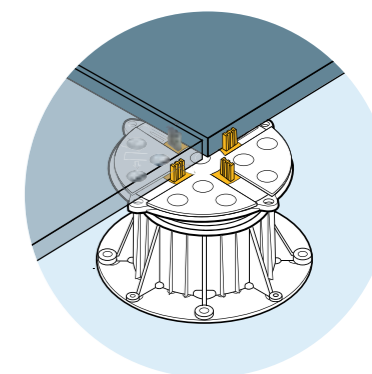


**H-17**  
4.5 mm



**H-17**  
6 mm

H: 17 mm



**H-25**  
2 mm



**H-25**  
4.5 mm



**H-25**  
6 mm

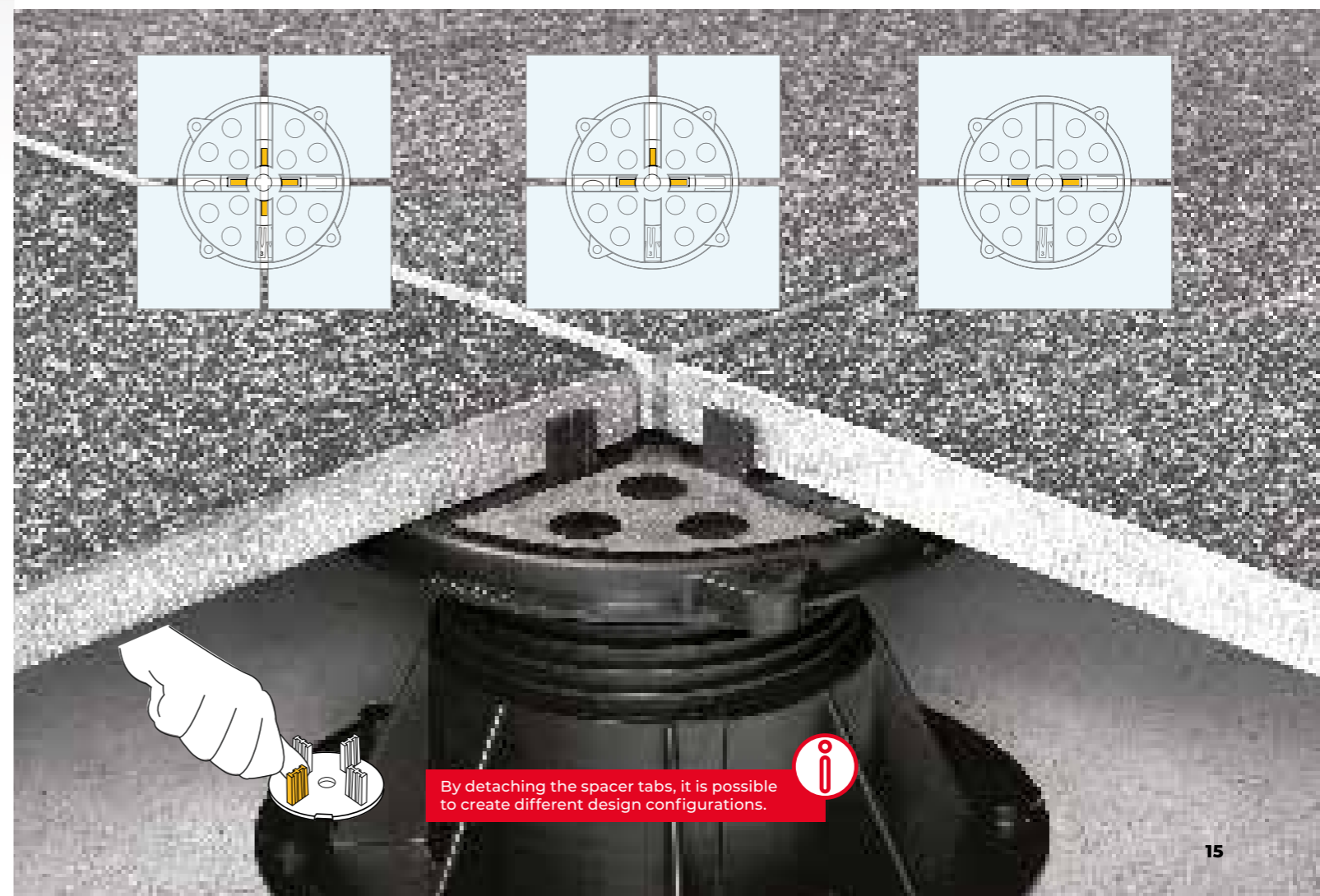


**H-25**  
8 mm



**H-25**  
10 mm

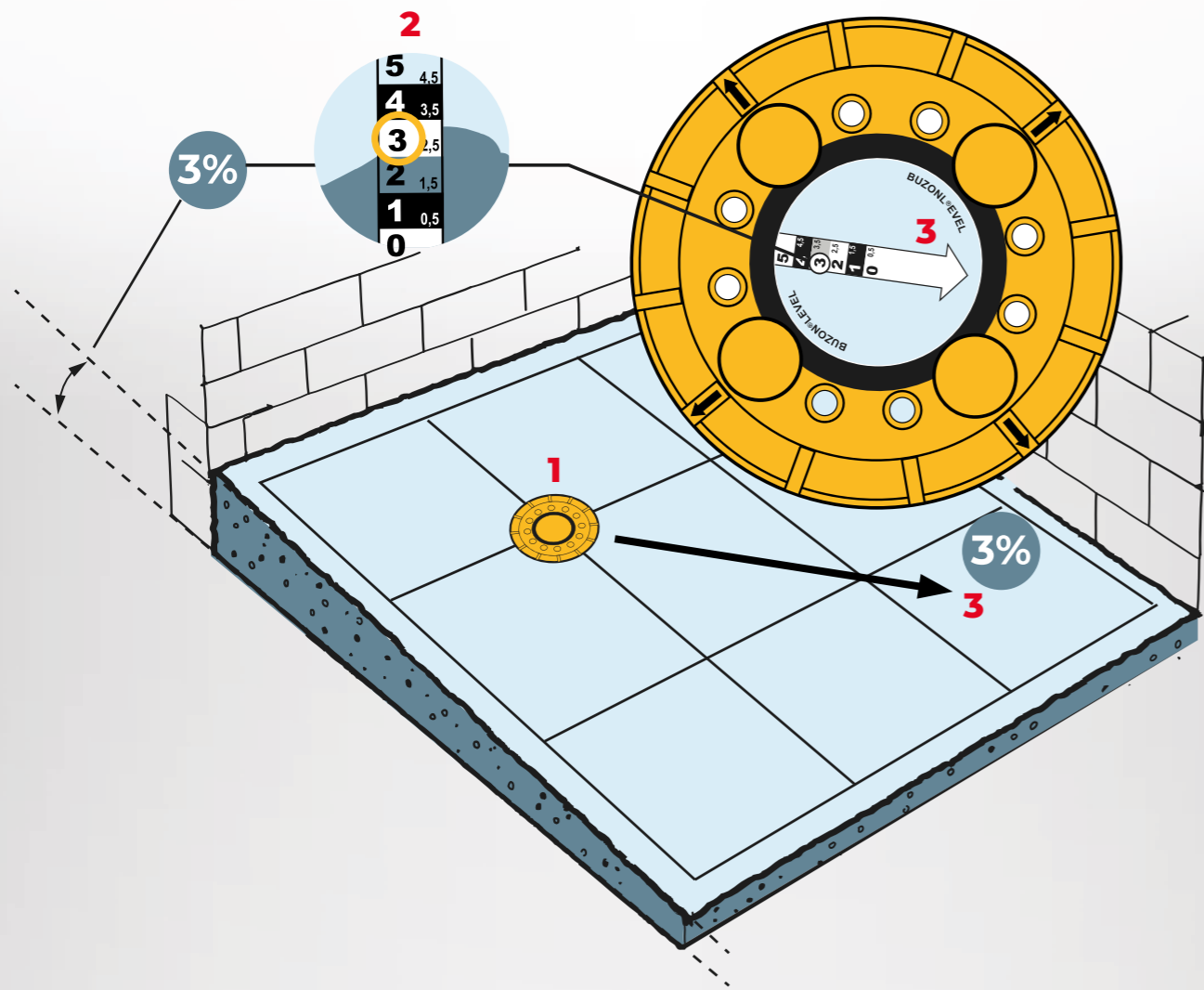
H: 25 mm



By detaching the spacer tabs, it is possible to create different design configurations.







## Buzon® level

The Buzon® U-KIT-SL80 level is the essential tool for calculating slopes. It measures the value and direction of the slope of the terrace support at any location. This information is essential for the use of our slope correction systems.

**1** To determine the value and direction of the slope, position the Buzon level at an intersection.

**2** Orientate the level to align the bubble with the arrow.

**3** The bubble indicates the value of the slope in %. The alignment of the numbers indicates the direction of the slope to be straightened. Draw the arrow and the number on the ground. Example 3%.



U-KIT-SL80

Prolonged exposure of the Buzon level placed on the ground at a temperature above 25°C makes the bubble disappear. Put the level in the shade!



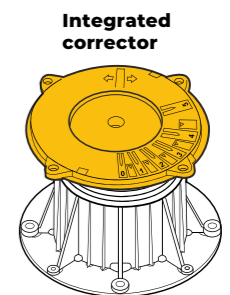
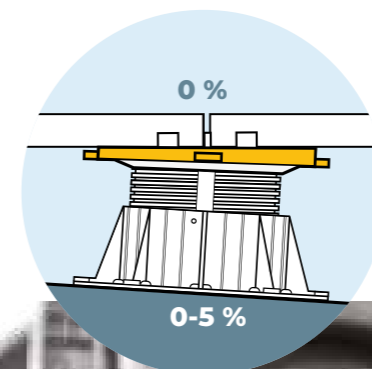
## Slope correctors in the DPH range



Integrated corrector

### 1 Integrated slope corrector

The DPH-02-PH5 to DPH-13-PH5 pedestals have a slope corrector integrated into the top of the pedestal. It makes it possible to compensate a slope of 0 to 5% with a precise adjustment in intervals of 0.5%.



Integrated corrector





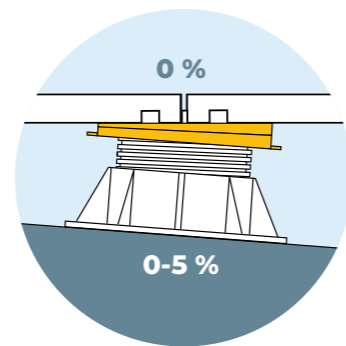
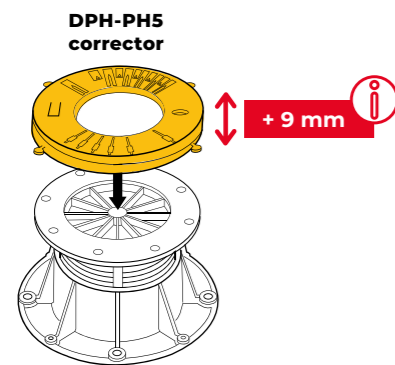
With the support  
of  
  
Wallonie

## 2 DPH-PH5 slope corrector

It is possible to add the **DPH-PH5** corrector on the top of the pedestals that do not have an integrated corrector (DPH-F17 to DPH-3) in order to control the correction of the slope.



DPH-PH5

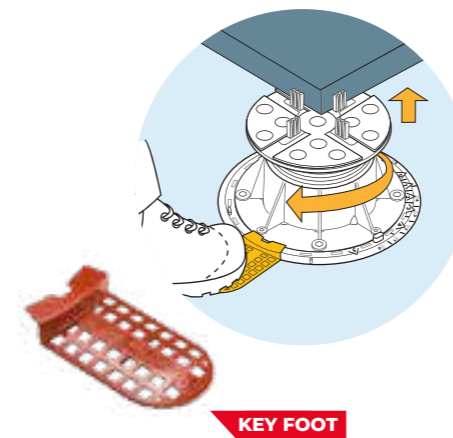


NEW

U-PH5

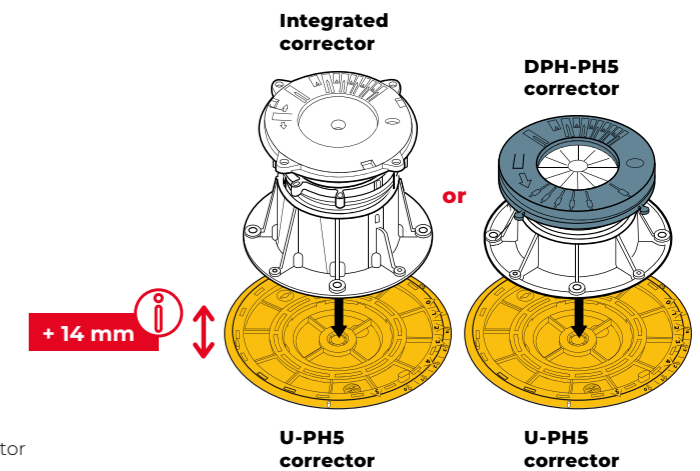
## 3 U-PH5 slope corrector

The **U-PH5** corrector is an adjustable disc which is placed under the base of all the pedestals in the DPH range and guarantees perfect control of the slopes. It can deal with slopes greater than 5%.



KEY FOOT

Enables maintaining the orientation of the corrector when adjusting the height of the pedestal.

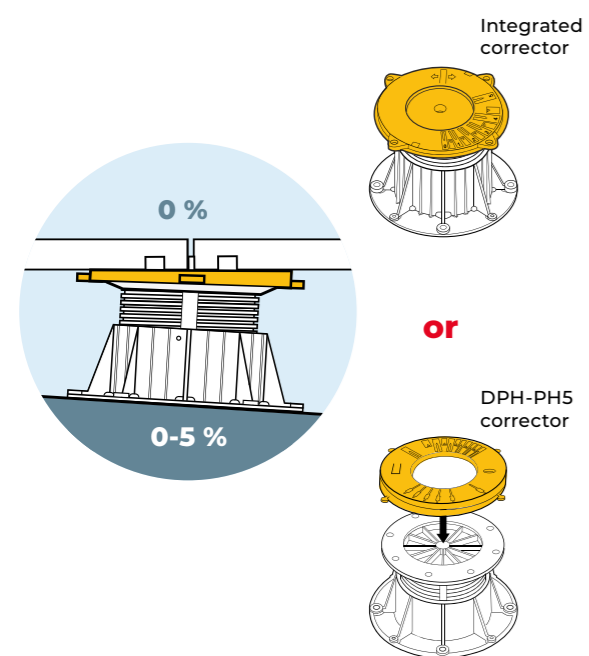




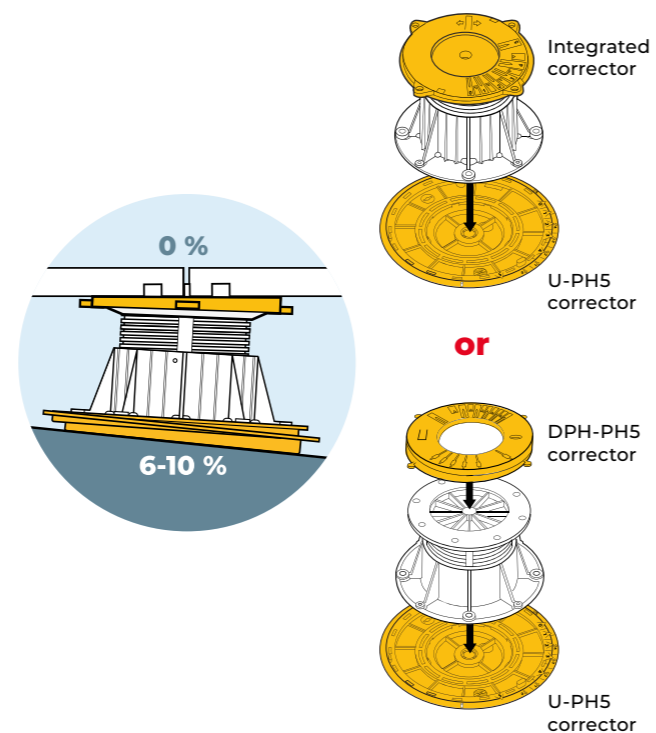
## Slope correction

In order to control the slopes during the creation of terraces, Buzon® offers solutions that are easy to implement.

### 1 Slope correction from 0 to 5%

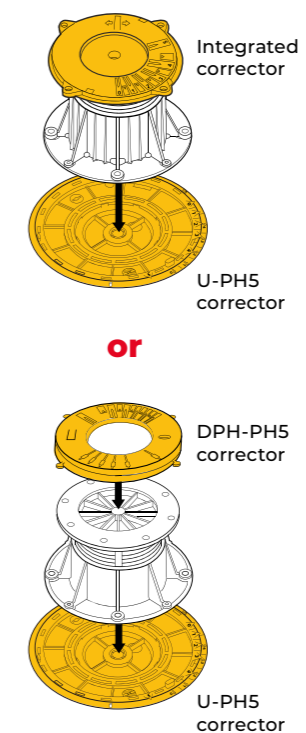
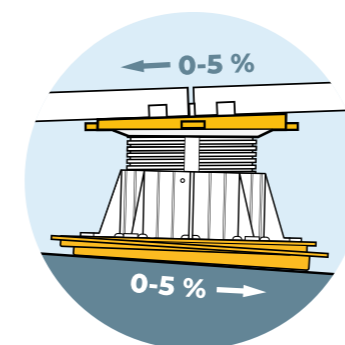


### 2 Slope correction from 6 to 10%



### 3 Multiple slope correction

Our correctors are adjustable and can be mechanically orientated. By combining two correctors (built-in corrector or DPH-PH5 with the U-PH5), it is possible to create a slope on the finished support in the desired direction.





“

**Solutions  
for every  
project”**

## Joist supports

Joist supports are fixed in place using our plug-in system on Buzon® pedestals in the DPH range. They firmly hold the joists supporting the timber decking.



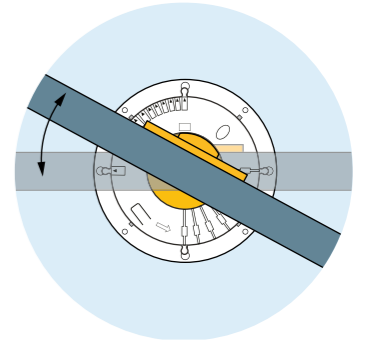
### ROTATING JOIST SUPPORTS



**NEW**

**DPH-KIT-5**

The DPH-Kit 5 is compatible with all of the DPH range pedestals.



The DPH-KIT-5 rotates to allow the adjustment of the joist to the required direction once the pedestal has been adjusted to the correct height.

### FIXED JOIST SUPPORTS



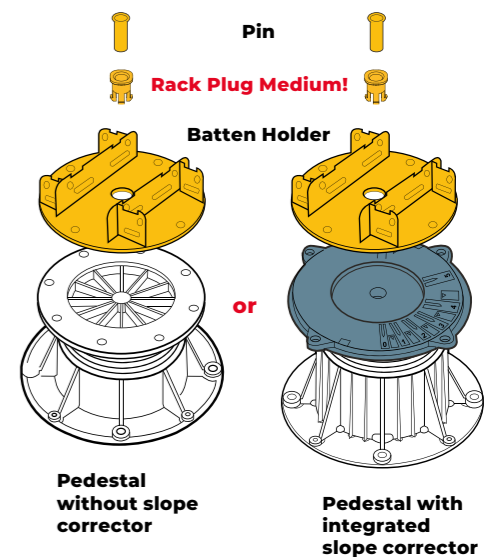
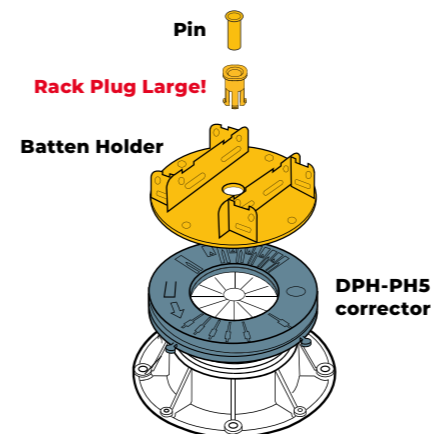
**DPH-KIT-4**

The DPH-KIT 4 is compatible with DPH pedestals with an added DPH-PH5 slope corrector.



**DPH-KIT-3**

The DPH-KIT 3 is compatible with DPH pedestals with integrated slope correction and DPH pedestals without the DPH-PH5 slope corrector.



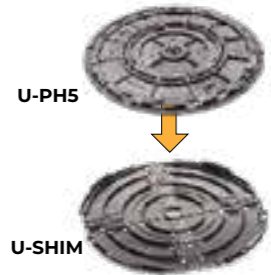
# Riser

Thanks to the **U-SHIM** riser, the total height of the pedestal can be increased by 5 mm (with the possibility to stack up to 4 high), which is ideal for making small height adjustments on site.

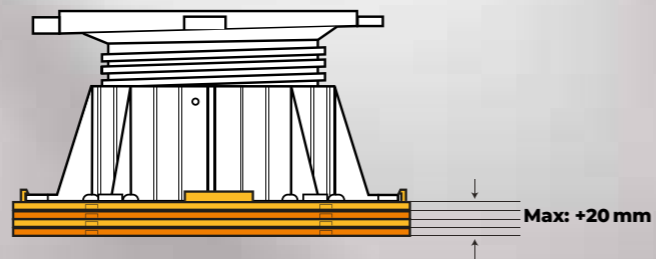
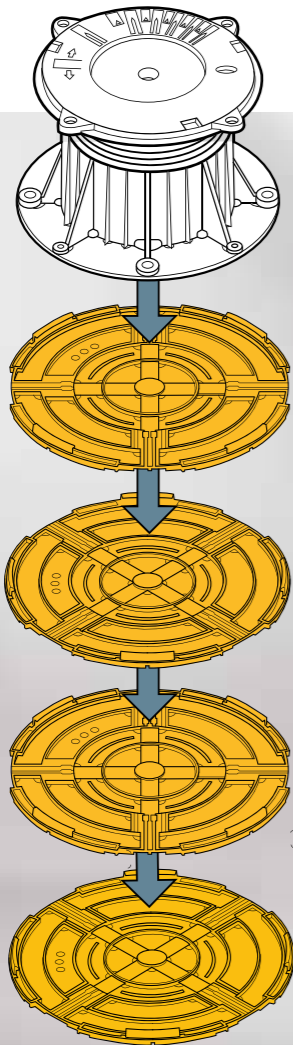
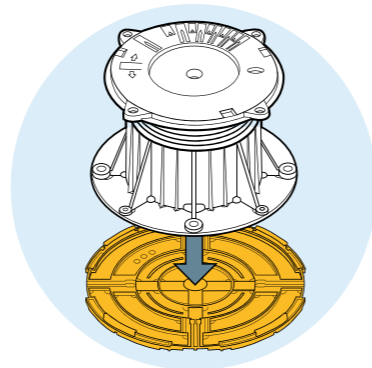
NEW



U-SHIM is also compatible with our U-PH5 slope corrector.



U-SHIM  
5 mm



Possibility to stack up to 4 shims



# Protective pads

## U-PAD 200 x 200 mm



U-PAD  
3 mm

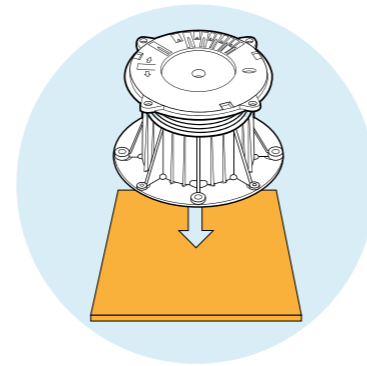


U-PAD  
6 mm



U-PAD  
10 mm

The **U-PAD** protective pad is made up of recycled rubber. It is placed under the pedestal and provides additional acoustic values. It helps protect the substrate if it is subject to puncturing.



## U-PAD 200 x 100 mm

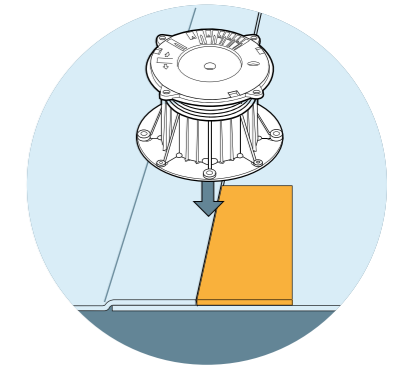


U-PAD  
3 mm



U-PAD  
6 mm

In case of need, the **U-PAD** mattresses can be used as risers and fill in differences in levels (e.g. different levels of waterproofing membranes).



## U-PAD 90 x 60 mm

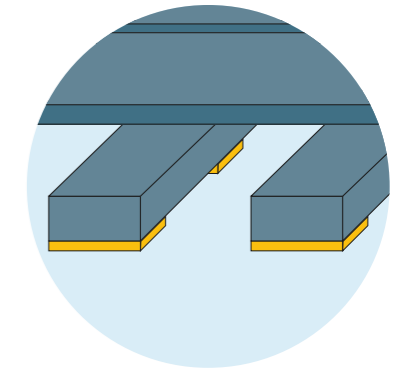


U-PAD  
6 mm



U-PAD  
10 mm

The **U-PAD** protection mattresses are also available in a format (90 x 60 mm) adapted for use under wooden joists. They keep the joists out of the water and facilitate the evacuation of rainwater.



# U-PAD GROUND, U-TABS-FLAT

NEW

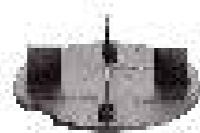
## HOW TO USE OUR SYSTEM

Buzon® solves and secures the problem of low datums under pavers.

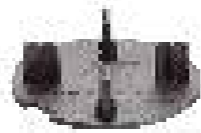
The combination of **U-TABS FLAT**, **U-PAD GROUND** and leveller accessories help to build terraces when the height available under the paver is limited between 3 and 17 mm. The system guarantees a flat terrace with uniform gaps between the pavers (the pavers are better "supported").



U-TABS FLAT  
2 mm



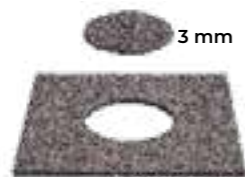
U-TABS FLAT  
3 mm



U-TABS FLAT  
4.5 mm



U-PAD GROUND  
3 mm



U-PAD GROUND  
6 mm



U-PAD GROUND  
10 mm



U-PAD  
6 mm



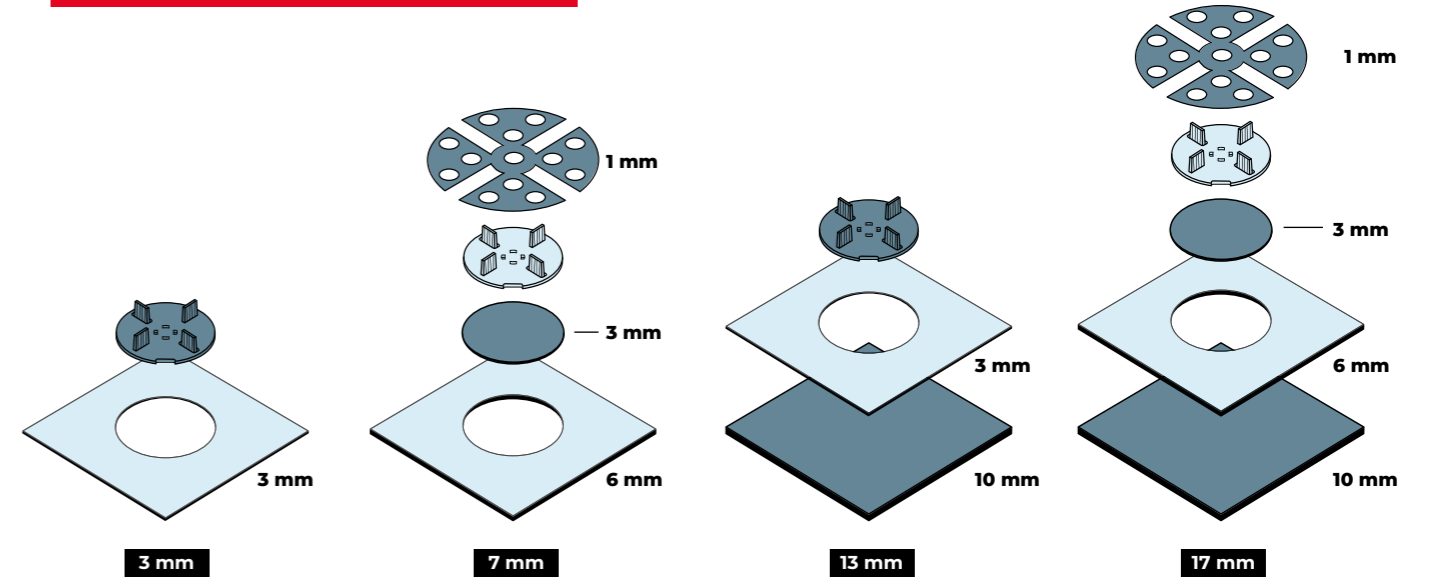
U-PAD  
10 mm

U-PAD Ground and U-TABS FLAT form a combination of products but are sold separately.



“Height under pavers from 3 to 17 mm”

Different combinations of accessories are possible to achieve the desired height under pavers.





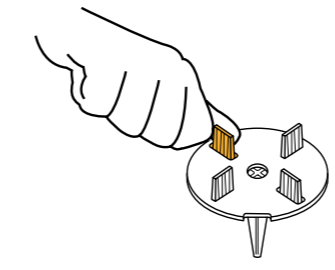
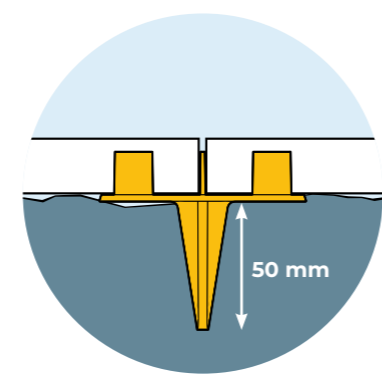
U-TABS SPIKE creates a regular space between pavers of 2, 3 or 4.5 mm.



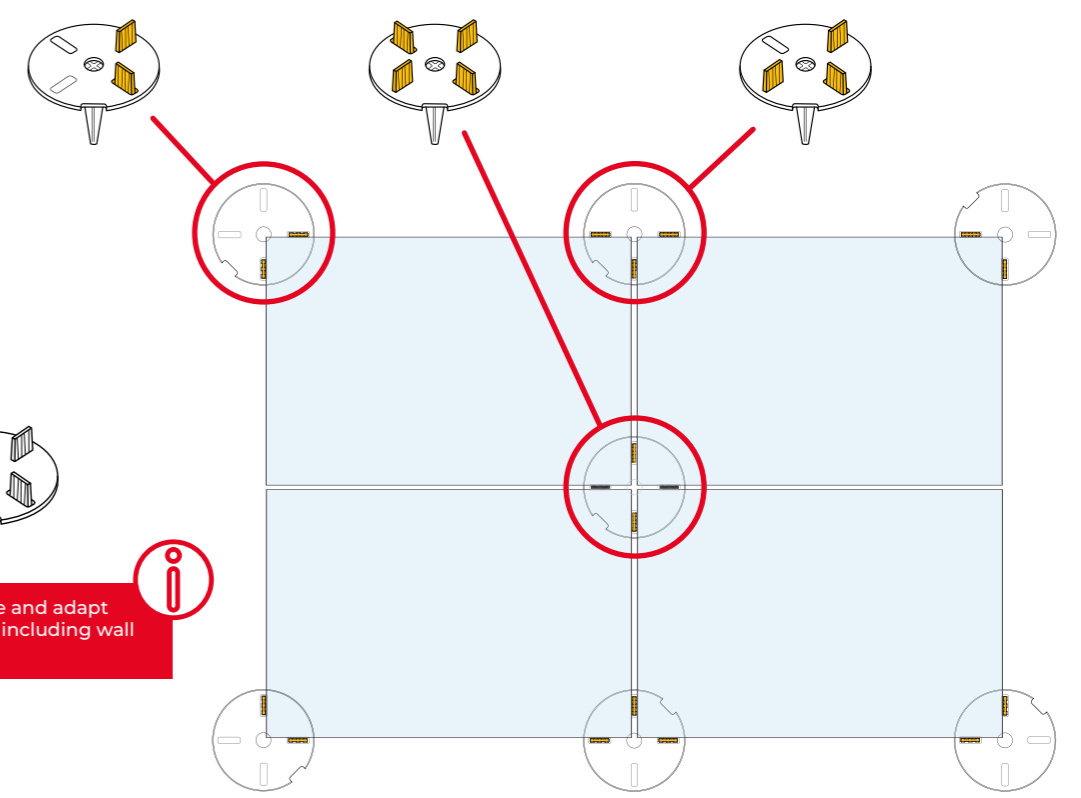
**NEW**

# U-TABS SPIKE

U-TABS SPIKE spacer tab enables the direct laying of pavers on soft ground, gravel, lawns, etc. It is planted directly in the ground and facilitates the installation of terraces or Japanese steps.



The spacer tabs are divisible and adapt to all laying configurations, including wall edge installations.







## Perimeter Spacer

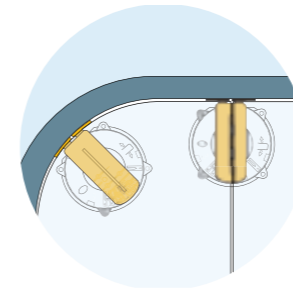
NEW

**U-WALL** creates a uniform 5mm gap between the paver and the wall, enabling water flow which protects the terrace in the case of heavy rainfall, snow etc. It is placed on the top of the DPH pedestal.

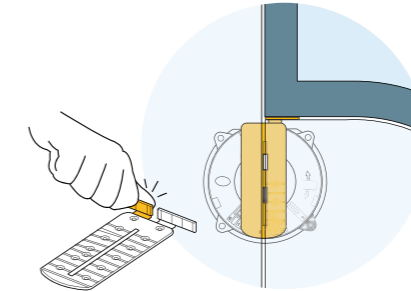


**U-WALL**  
Patent pending

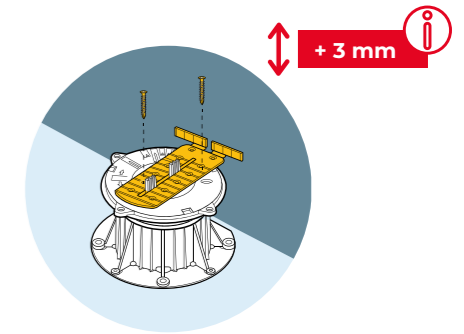
### CHARACTERISTICS



With its flexible tile retainers, the U-WALL can be installed on terraces of any shape: angular, curved etc. which makes installation easier and more efficient.



The spacer tabs can be detached to adapt to all types of layout.



U-WALL can be fixed to the pedestals with screws to keep the pavers in place. It is also adjustable on the top of the pedestal to create an optimal gap.

## “Terrace perimeter” fastening

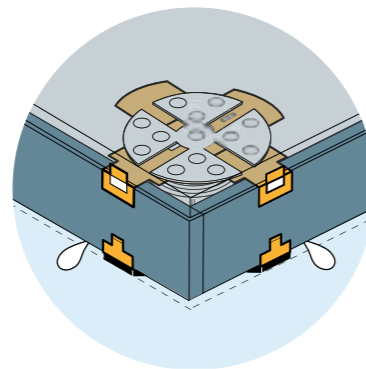
**DPH-END** finishing kit supports the vertical pavers for cladding the edge of the terrace installed on DPH series pedestals. Two hooks on the top and the base of the pedestal hold the vertical 20mm pavers to ensure a solid finish.



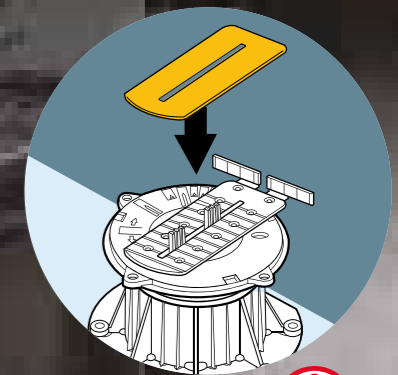
**DPH-END**



LATERAL EDGE



ANGLE



For added stability, we recommend using the U-WALL support with U-E10-WALL (1 mm thick) or U-E20-WALL (2 mm) leveller. This guarantees the stability of the paver and will also make finer adjustments on pavers that are irregular e.g., natural stone.

**U-E10/20-WALL**  
1 to 2 mm

With the support of  
  
Wallonie

# Paving support at the perimeter of the terrace

**U-EDGE** is an adaptable support that attaches to the DPH series pedestals. Due to its design, it creates a quick and easy solution to complete the installation at the edge of a terrace. It can be used with any size of spacer tab and all shapes of paving.

## HOW TO USE THE U-EDGE SUPPORT

U-EDGE is a support enabling the **installation of small pavers** (from 2 to 14 cm wide) at the edge of the wall. These small pavers are placed on the support which can be screwed on to the pedestal.

**U-TABS** spacer tabs of 2, 3 and 4.5 mm thick are used with U-EDGE. By fixing these in the required location, they create a gap between the paving keeping the smaller cuts evenly spaced and holds them securely in place.



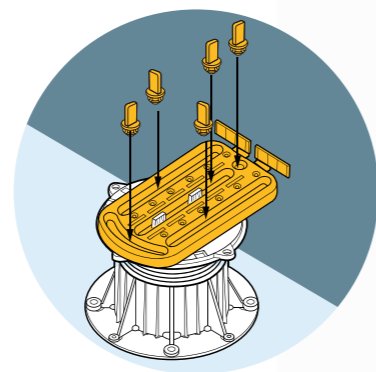
**U-TABS**  
2 mm



**U-TABS**  
3 mm



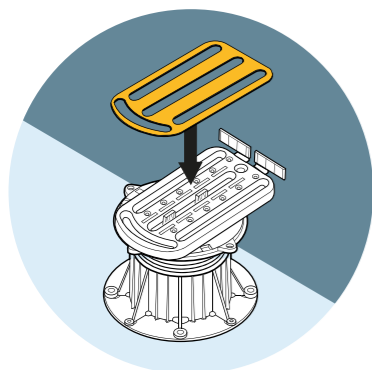
**U-TABS**  
4.5 mm



For further stability, we recommend the use of the U-EDGE with U-E10-EDGE leveller (1 mm thickness) or U-E20-EDGE (2 mm). This guarantees the stability of the paver and will also make finer adjustments on pavers that are irregular ie natural stone.

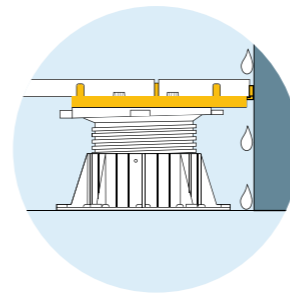


**U-E10/20-EDGE**  
1/2 mm

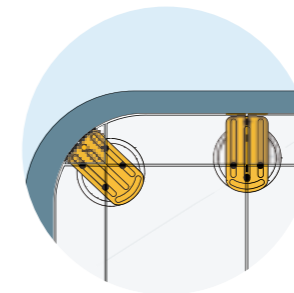


**U-EDGE**  
Patent pending

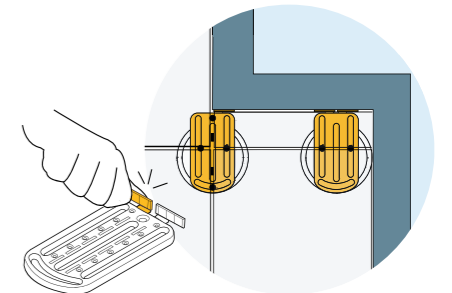
## CHARACTERISTICS



U-Edge enables the creation of a space between the pavers and the wall keeping an even gap and enabling water flow which protects the terrace in the case of heavy rainfall, snow etc.

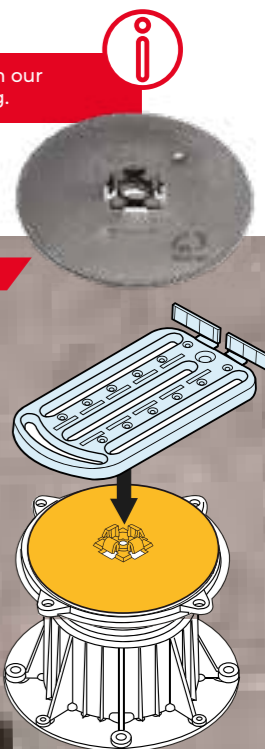


With its flexible tile retainers, U-Edge can be installed on terraces of any shape: angular, curved etc. which makes installation easier and more efficient.



The spacer tabs can be removed to adapt to all types of layout.

U-EDGE support is also used with our U-FIX-PLATE 1 universal fastening.

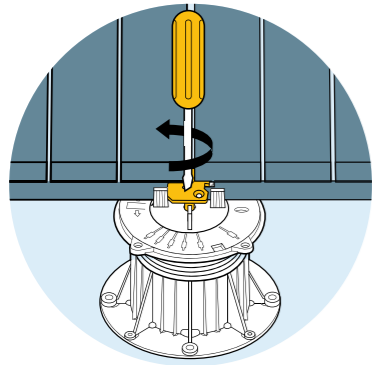


With the support of  
**Wallonie**

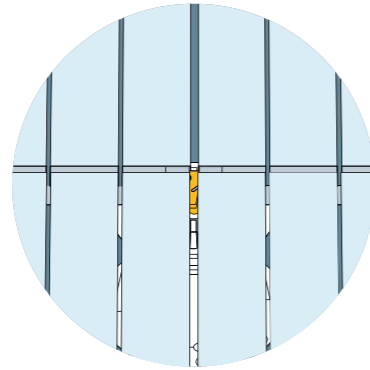
# Fastening for wooden pavers

**DPH-FASTENER** makes it possible to fix wooden pavers and ensures more stability in the event of high winds.

## CHARACTERISTICS



The DPH-Fastener is screwed in to the top of the pedestal. It adapts perfectly to all types of wooden pavers.



Once placed, it is invisible



**DPH-FASTENER**

# Anti-lifting kit

U-WASHERs are available on request.



**U-WASHER** kit installs easily on all paving and prevents them from lifting in case of strong gusts of wind.



**U-WASHER**  
35 mm  
Inox (316)



**U-WASHER**  
35 mm  
Iron Grey (RAL 7011)



**U-WASHER**  
35 mm  
Window Grey (RAL 7040)



**U-WASHER**  
35 mm  
Warm Grey (RAL 1019)



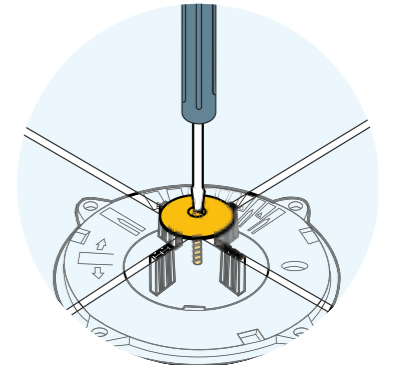
**U-WASHER**  
35 mm  
Signal Black (RAL 9004)



**U-WASHER**  
35 mm  
Light ivory (RAL 1015)



**U-WASHER**  
35 mm  
Polycarbonate



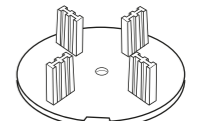
U-Washers are fixed using U-Washer screw and DPH-TABS 4.5 mm POM-WR spacer tab.



**U-WASHER Screw**



**U-WASHER**



**DPH-TABS 4.5 mm  
POM-WR**



U-Washer is available in various colours to adapt perfectly to the colours of the pavers. On request, we can create bespoke U-Washers according to your RAL colours.

U-Washer also exists in 50 mm.





**3**  
U-BRS JOISTS



## **U-BRS System**

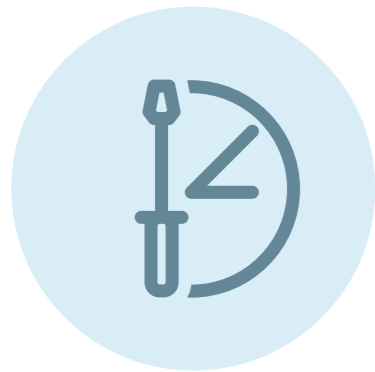
**Buzon Rail System (BRS) revolutionises the creation of raised terraces**

The new **U-BRS** laying system for outdoor raised floors ensures a simple and easy installation. Used as a support system, it guarantees great stability and enables the creative design of outdoor spaces.

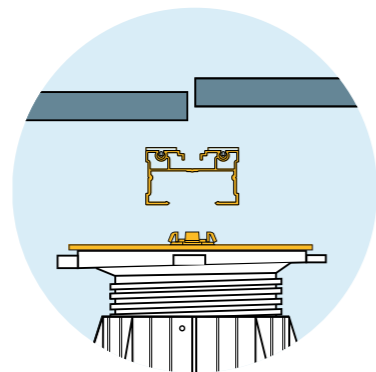
# Why choose the U-BRS system?

The **U-BRS** system and its aluminium joists allow the installation of 20 mm ceramic pavers of all sizes. With a thickness of 24 or 38 mm, the joists guarantee a superior resistance to the applied loads and only require a gap of 80 cm (maximum) between each supporting pedestal for the 38 mm joists and a spacing of 60 cm (maximum) for 24 mm joists.

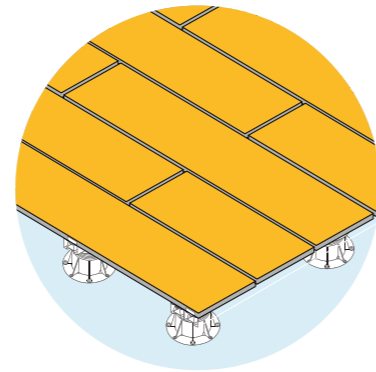
## SEVERAL ADVANTAGES



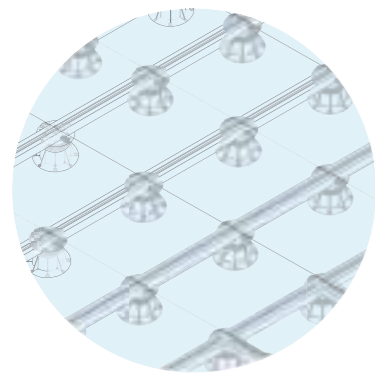
Time savings



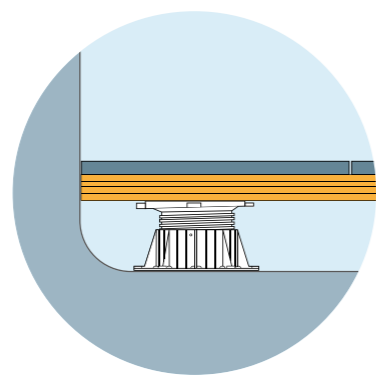
Simplifies installation



Possibility of installing irregular sizes of pavers/boards (e.g. large format 120 x 120 cm or small width 20 x 120, 30 x 120 cm)



High stability of pathway surfaces



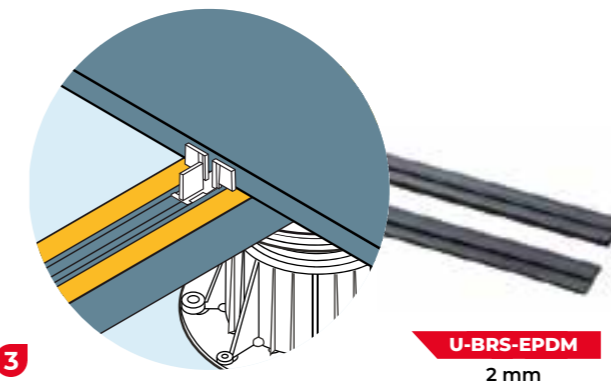
Stability of cantilevers



# Composition of the U-BRS System

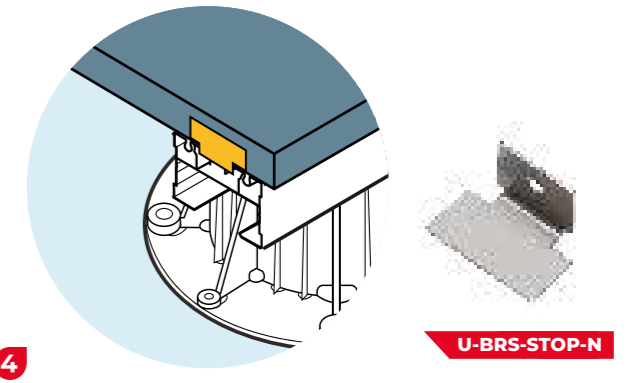
Practical and functional, the **U-BRS** system offers a complete structure for the elevated installation of outdoor space.

The system includes height-adjustable polypropylene pedestals, reinforced aluminium profiles and spacer tabs that provide a gap between the pavers. The system is completed by finishing accessories able to meet all design requirements.



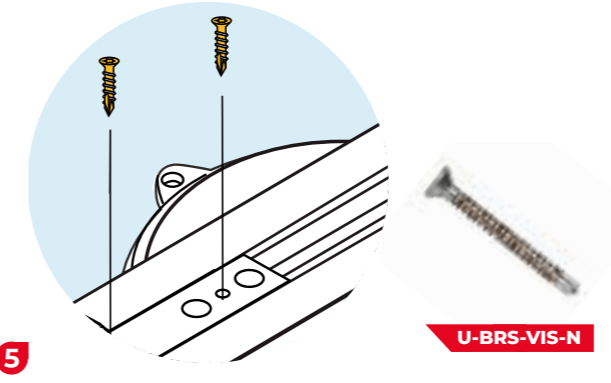
**3** **U-BRS-EPDM 2 mm**

**U-BRS-EPDM-2 mm:** EPDM protection. Attached to the U-BRS joists, it stabilises the paver and provides additional acoustic comfort.



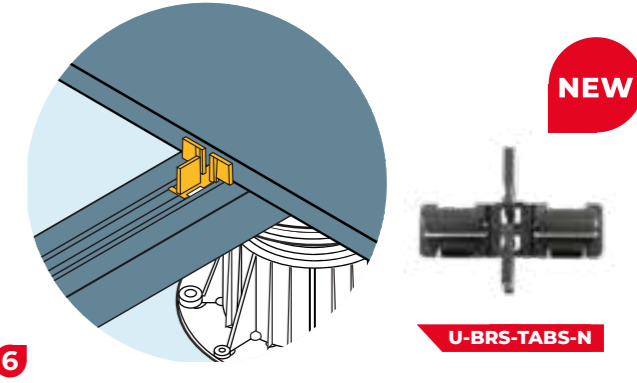
**4** **U-BRS-STOP-N**

**U-BRS-STOP-N** prevents the pavers from moving at the edge of the terrace. It enables stopping the pavers at the edge of the terrace.



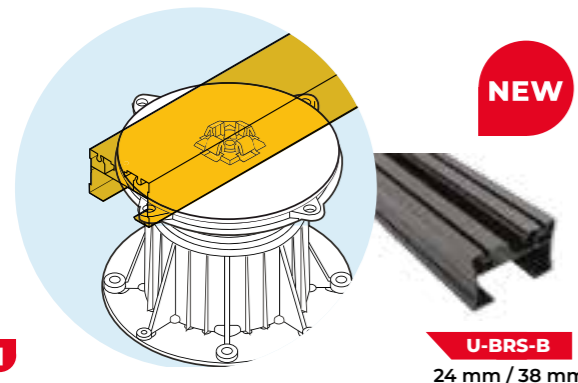
**5** **U-BRS-VIS-N**

**U-BRS-VIS-N:** fastening screws for joists (3,9 x 25 mm)



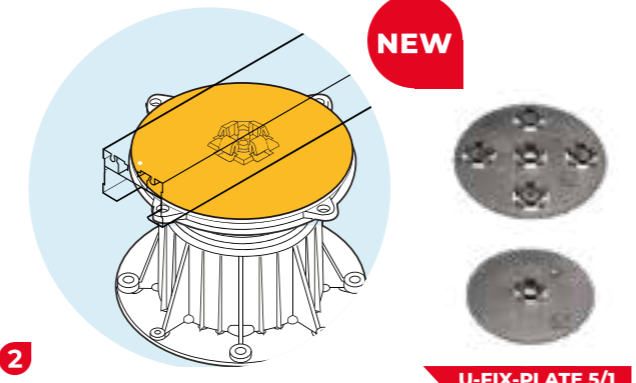
**6** **U-BRS-TABS-N**

**U-BRS-TABS-N:** spacer tab that regulates the spacing between the pavers, ensures alignment, and allows the rapid runoff of excess water. The spacer tabs are available in different thicknesses: 2, 3 and 4.5 mm.



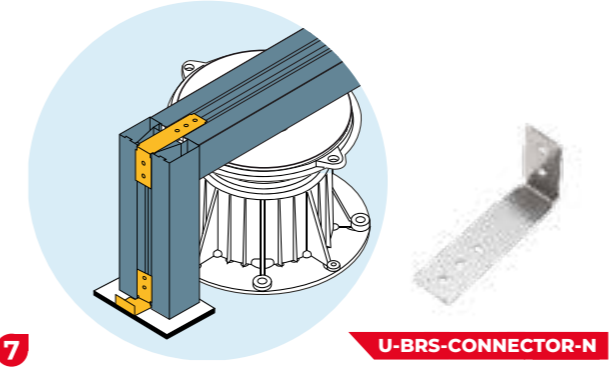
**1** **U-BRS-B**  
24 mm / 38 mm

**U-BRS-B:** Aluminium joists (2400 x 65 mm): 24 or 38 mm. The joists exist with coating (U-BRS-B) and without coating (U-BRS-M).



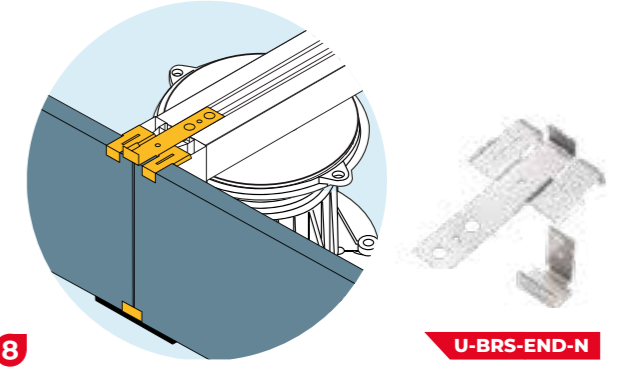
**2** **U-FIX-PLATE 5/1**

**U-FIX-PLATE:** Joist support. Detailed information on the U-FIX-PLATE can be found on pp. 62 to 64.



**7** **U-BRS-CONNECTOR-N**

**U-BRS-CONNECTOR-N:** connector for securing two joists.



**8** **U-BRS-END-N**

**U-BRS-END-T-N / U-BRS-END-B-N:** stainless steel finishing kit to support the vertical cladding at the edge of the terrace. Two blades with claws grip the 20mm plinth.

# U-FIX-PLATE

Supports for the **U-FIX-PLATE** joist secure the joist to the top of the pedestal by simply pressing. Once the U-FIX-PLATE is installed on the pedestal, just press the joist onto the pedestal and the profiled base of the joist fixes automatically while allowing the pedestal to slide under the joist for optimal positioning.

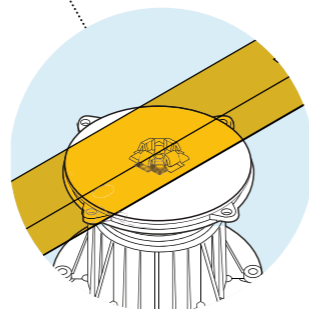
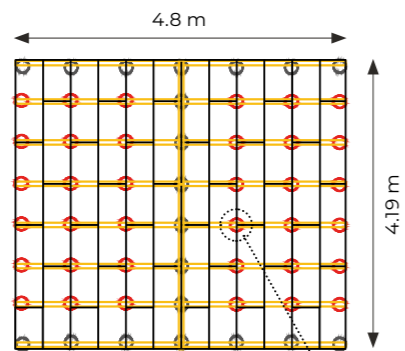


## USAGE

Use and distribution of the **U-FIX-PLATE 1** and **U-FIX-PLATE 5** according to the size of the terrace.

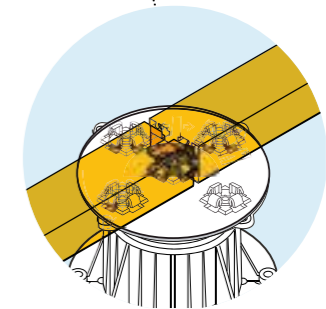
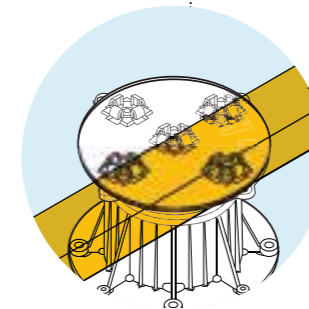
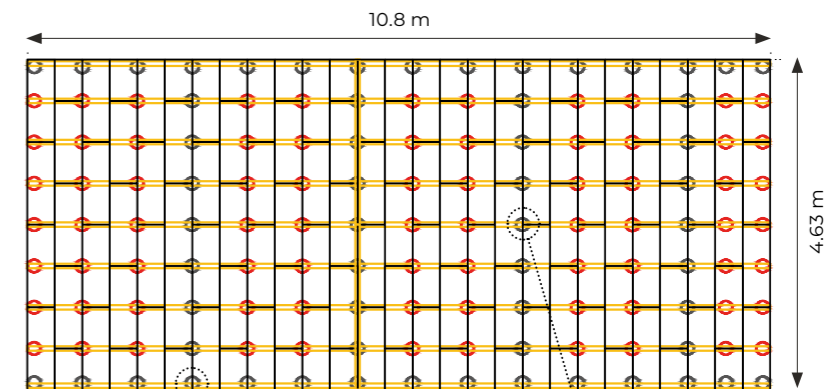
### TERRACE ~ 20 m<sup>2</sup>

- U-FIX-PLATE 5 ~ 20
  - U-FIX-PLATE 1 ~ 36
  - ▮ U-N-BRS ~ 18
- (Approximate quantity)



### TERRACE ~ 50 m<sup>2</sup>

- U-FIX-PLATE 5 ~ 58
  - U-FIX-PLATE 1 ~ 77
  - ▮ U-N-BRS ~ 43
- (Approximate quantity)



# U-FIX-PLATE

## USAGE

Use and distribution of the **U-FIX-PLATE 1** and **U-FIX-PLATE 5** according to the size of the terrace.

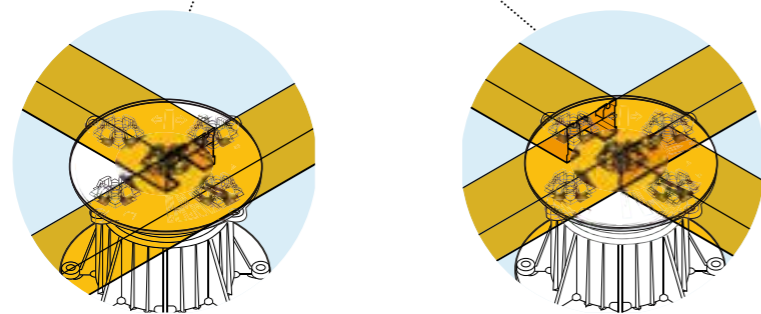
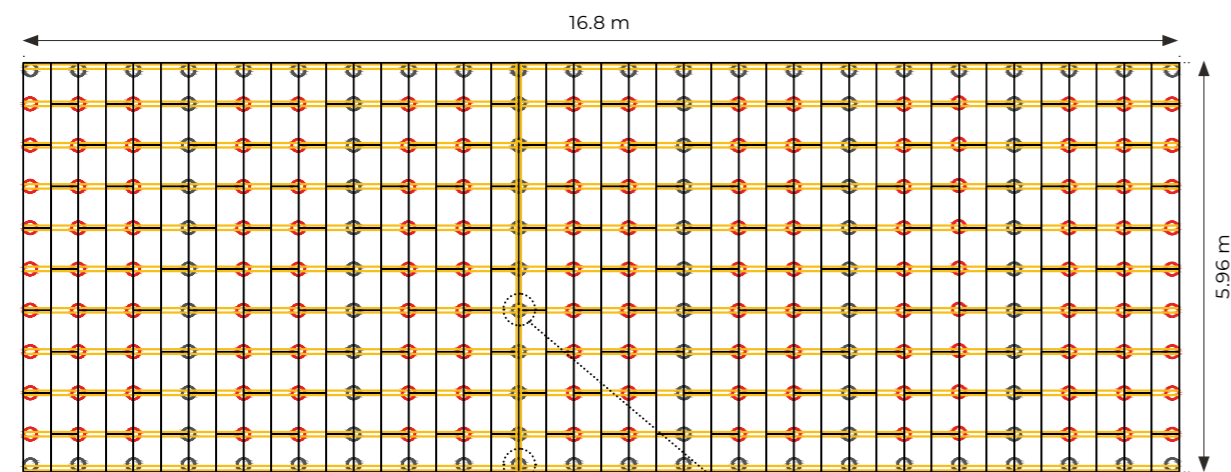
### TERRACE ~ 100 m<sup>2</sup>

○ U-FIX-PLATE 5 ~ 98

● U-FIX-PLATE 1 ~ 144

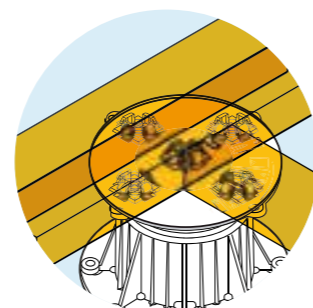
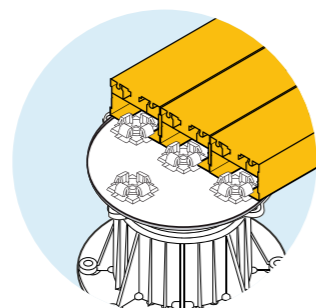
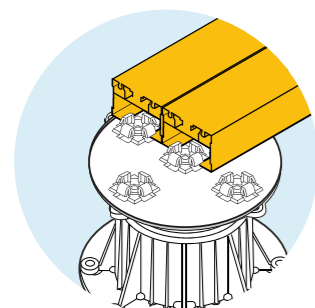
▮ U-N-BRS ~ 80

(Approximate quantity)



**INNOVATIVE**

If necessary, it is possible to double or triple the number of joists.





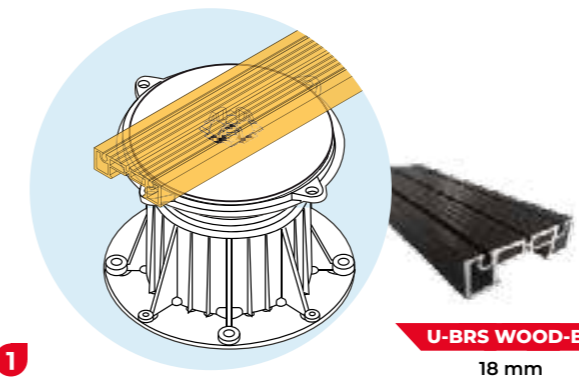
# Composition of U-BRS WOOD

The **UBRS-Wood** system will enable the creation of wooden terrace with aluminium joists. Our system is compatible with many different wooden / composite boards and fastenings.

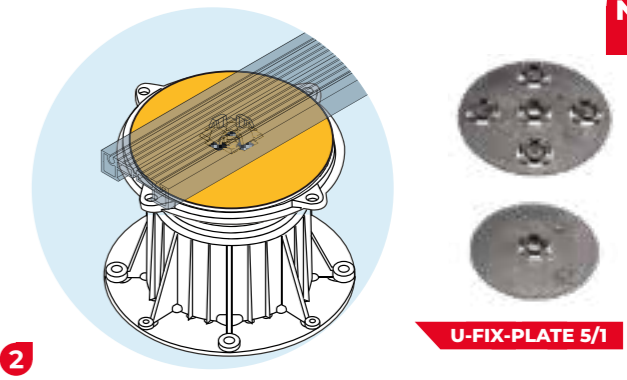


The spacing system between the wooden boards depends on the boards chosen.

U-BRS END, U-BRS TABS, U-BRS STOP and U-BRS Connector are only compatible with U-BRS joists.

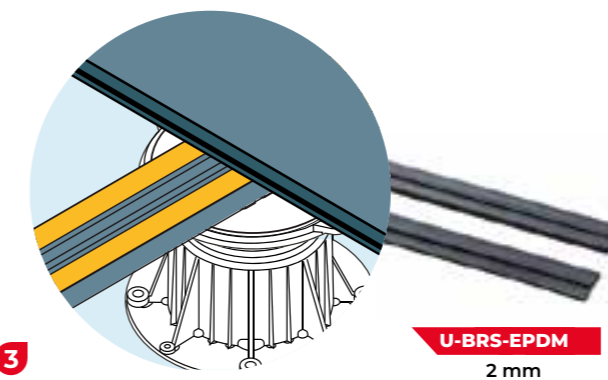


**1**  
U-BRS-WOOD-B: Aluminium joists (2400 x 65 mm)



**2**  
U-FIX-PLATE: Joist support

The joists exist with coating (U-BRS-WOOD-B) and without coating (U-BRS-WOOD-M).



**3**  
U-BRS-EPDM-2 mm  
EPDM protection which is placed on the U-BRS-Wood joists. Optional, it stabilises the board and provides additional acoustic comfort.



**WOODEN BOARDS AND FASTENINGS:**  
**Not supplied by Buzon@!**

Our aluminium joist system is compatible with many different profiles of timber / composite decking and fastenings. We advise you to request more information from your supplier.

# Technical information and use

## STANDARD SYSTEM / PEDESTALS

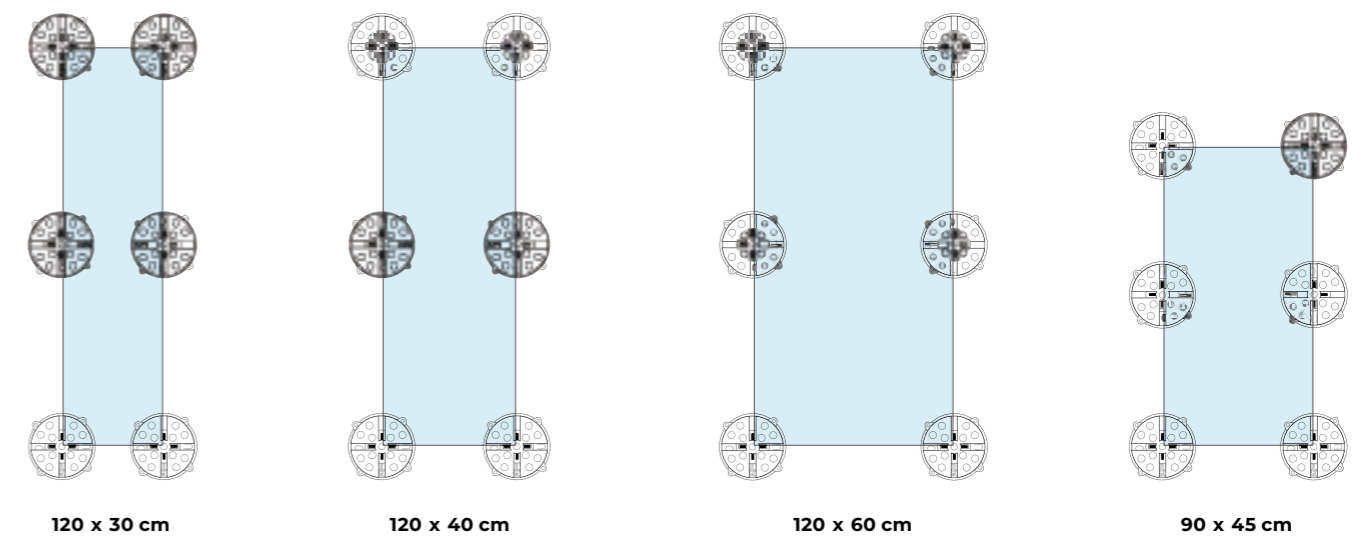
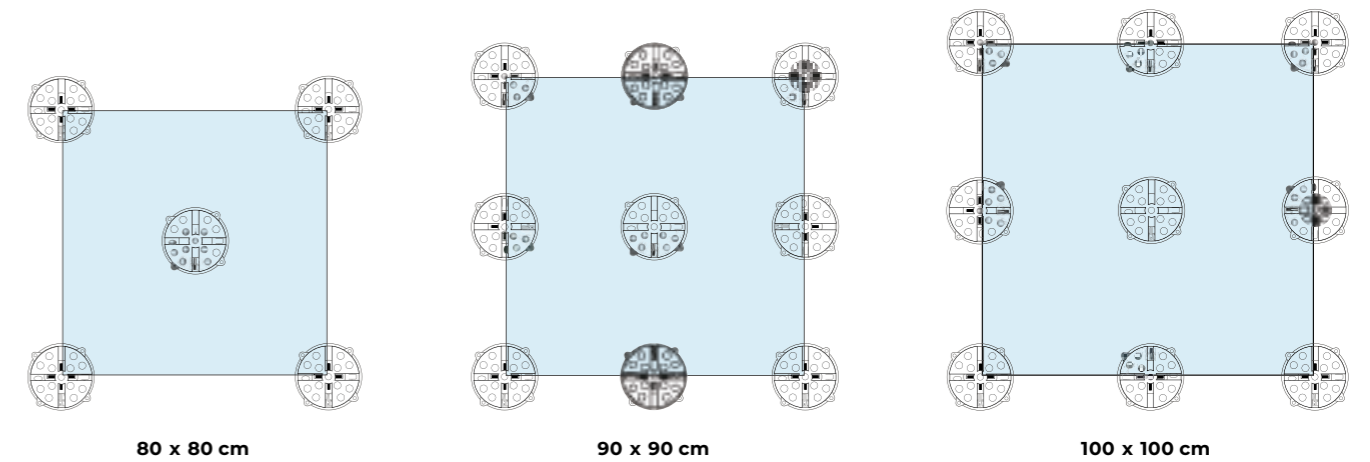
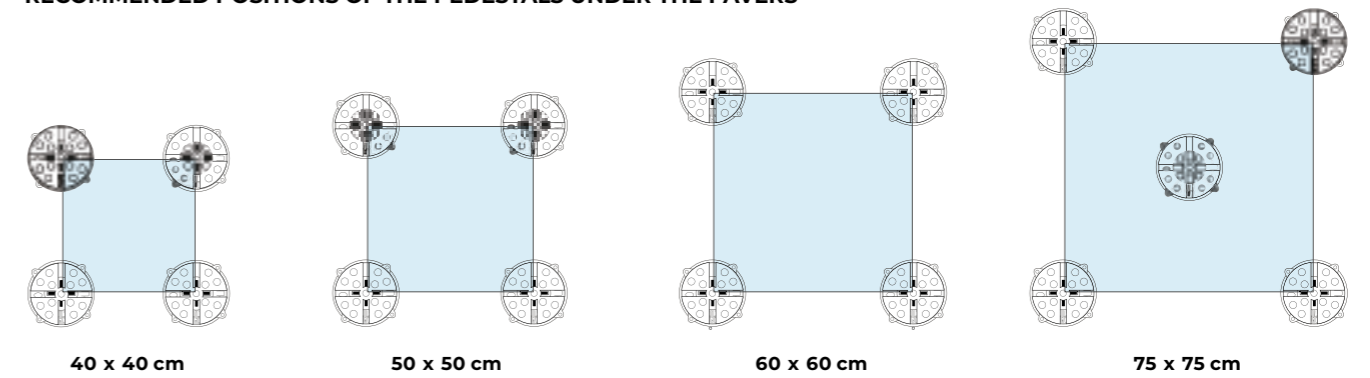
### AVERAGE NUMBER OF PEDESTALS PER m<sup>2</sup>

Dimensions and surface area of the terrace	20 m <sup>2</sup>	50 m <sup>2</sup>	100 m <sup>2</sup>	1 000 m <sup>2</sup>
Length	5	10	10	50
Width	4	5	10	20
Paver format	Pedestals / m <sup>2</sup>	Pedestals / m <sup>2</sup>	Pedestals / m <sup>2</sup>	Pedestals / m <sup>2</sup>
40 x 40 cm	7.70	7.28	6.76	6.43
50 x 50 cm	4.95	4.62	4.41	4.14
60 x 60 cm	4.00	3.60	3.24	2.94
75 x 75 cm	4.90	4.36	4.21	3.71
80 x 80 cm	4.15	4.06	3.65	3.24
90 x 90 cm	6.00	5.76	5.76	5.15
100 x 100 cm	4.95	4.62	4.41	4.14
120 x 30 cm	7.50	6.48	6.30	5.78
120 x 40 cm	5.50	5.04	4.68	4.34
120 x 60 cm	4.00	3.60	3.24	2.98
90 x 45 cm	6.00	5.76	5.76	5.15


The use of pedestals is recommended for pavers of minimum 30 x 30 cm, in agreement with the tile setter.  
For the laying of non-square pavers, the amount of pedestals used varies according to their place under the pavers.  
This information is given as an indication, the consumption varying according to the specificities of each project.

Buzon® cannot be held responsible for variations in quantities.

### RECOMMENDED POSITIONS OF THE PEDESTALS UNDER THE PAVERS



We advise the use of our pedestal calculator for more details.  
Go to: [www.buzon-calculator-dph.com](http://www.buzon-calculator-dph.com)



# Technical information and consumption of pedestals

## U-BRS / PEDESTAL SYSTEM

### AVERAGE QUANTITY OF JOISTS, PEDESTALS AND ACCESSORIES (joist centre distance 60 cm) **B**

Dimensions and surface area of the laying plan	10 m <sup>2</sup>	50 m <sup>2</sup>
Length	5 m	10 m
Width	2 m	5 m
Quantity of	pcs/m <sup>2</sup>	pcs/m <sup>2</sup>
U-BRS-24 / U-BRS-38	0.8	0.7
U-BRS EPDM 2 mm	1.6	1.4
U-BRS-TABS-N		
20 x 120 cm pavers	9.4	9.1
30 x 120 cm pavers	6.2	6.0
40 x 120 cm pavers	4.6	4.5
60 x 120 cm pavers	3.6	3.3
120 x 120 cm pavers	0.6	0.4
U-BRS-STOP-N	1.2	0.8
Pedestals (centre distance 60 cm) <b>A</b>	4.00	3.4
Pedestals (centre distance 80 cm) <b>A</b>	3.2	2.8

### AVERAGE QUANTITY OF JOISTS, PEDESTALS AND ACCESSORIES (joist centre distance 40 cm) **B**

Dimensions and surface area of the laying plan	10 m <sup>2</sup>	50 m <sup>2</sup>
Length	5 m	10 m
Width	2 m	5 m
Quantity of	pcs/m <sup>2</sup>	pcs/m <sup>2</sup>
U-BRS-24 / U-BRS-38	1.2	1.1
U-BRS EPDM 2 mm	2.4	2.2
U-BRS-TABS-N		
20 x 120 cm pavers	11.3	11.0
30 x 120 cm pavers	7.5	7.2
40 x 120 cm pavers	5.5	5.4
80 x 80 cm pavers	2.4	1.9
60 x 120 cm pavers	4.3	4.0
U-BRS-STOP-N	1.2	0.8
Pedestals (centre distance 60 cm) <b>A</b>	6.0	4.9
Pedestals (centre distance 80 cm) <b>A</b>	4.8	4.1

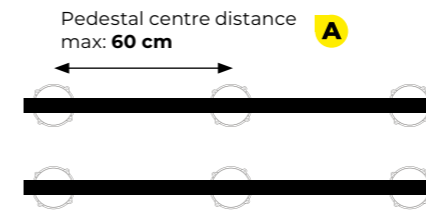
### AVERAGE QUANTITY OF JOISTS, PEDESTALS AND ACCESSORIES (joist centre distance 45 cm) **B**

Dimensions and surface area of the laying plan	10 m <sup>2</sup>	50 m <sup>2</sup>
Length	5 m	10 m
Width	2 m	5 m
Quantity of	pcs/m <sup>2</sup>	pcs/m <sup>2</sup>
U-BRS-24 / U-BRS-38	1.2	1
U-BRS EPDM 2 mm	2.4	2
U-BRS-TABS-N		
45 x 90 cm pavers	5.2	4.8
90 x 90 cm pavers	1.2	1.0
U-BRS-STOP-N	1.3	1.0
Pedestals (centre distance 60 cm) <b>A</b>	5.5	4.6
Pedestals (centre distance 80 cm) <b>A</b>	4.4	3.7

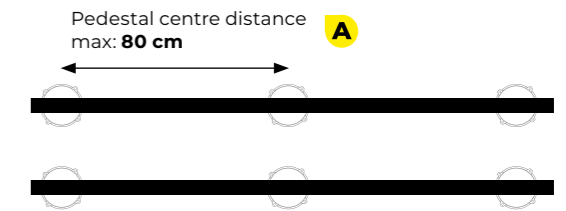
### AVERAGE QUANTITY OF JOISTS, PEDESTALS AND ACCESSORIES (joist centre distance 50 cm) **B**

Dimensions and surface area of the laying plan	10 m <sup>2</sup>	50 m <sup>2</sup>
Length	5 m	10 m
Width	2 m	5 m
Quantity of	pcs/m <sup>2</sup>	pcs/m <sup>2</sup>
U-BRS-24 / U-BRS-38	1	0.9
U-BRS EPDM 2 mm	2	1.8
U-BRS-TABS-N		
50 x 50 cm pavers	5.6	4.8
50 x 100 cm pavers	2.6	2.4
100 x 100 cm pavers	1.0	0.8
U-BRS-STOP-N	1.0	0.8
Pedestals (centre distance 60 cm) <b>A</b>	5.0	4.2
Pedestals (centre distance 80 cm) <b>A</b>	4.0	3.3

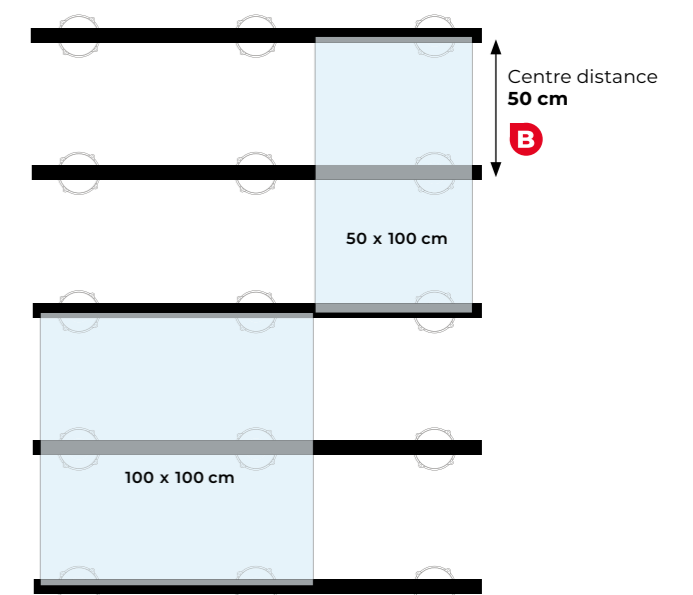
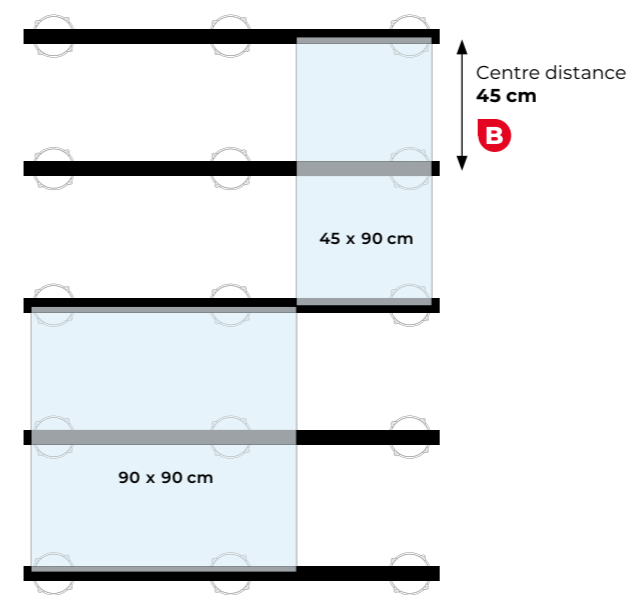
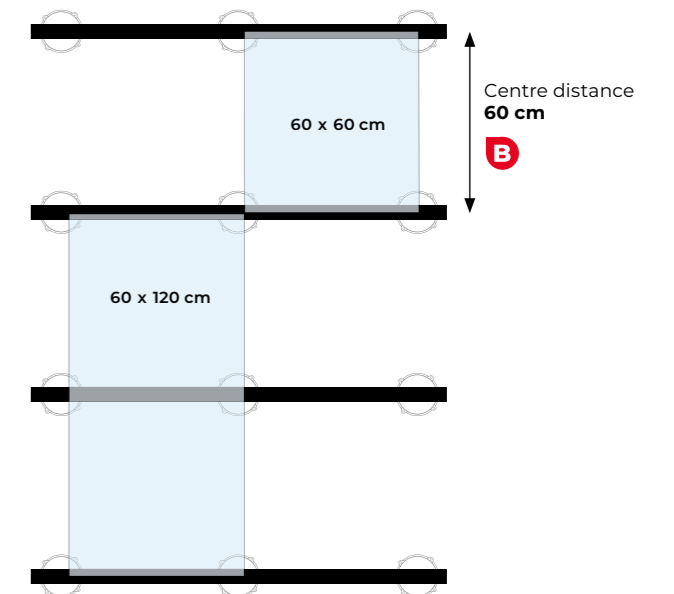
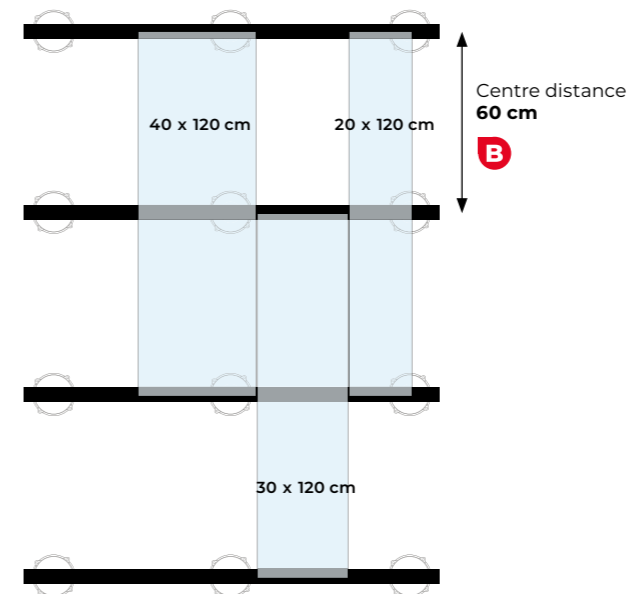
### POSITION OF THE PEDESTALS UNDER U-BRS-24 mm



### POSITION OF THE PEDESTALS UNDER U-BRS-38 mm



### POSITION OF THE U-BRS JOISTS



For laying down "parquet", please contact our technical department.



# Technical information and use

## U-BRS-WOOD / PEDESTAL SYSTEM

### AVERAGE QUANTITY OF JOISTS, PEDESTALS AND ACCESSORIES (joist centre distance 25 cm) **B**

Dimensions and surface area of the laying plan	10 m <sup>2</sup>	50 m <sup>2</sup>
Length	5 m	10 m
Width	2 m	5 m
Quantity of	pcs/m <sup>2</sup>	pcs/m <sup>2</sup>
U-BRS-18	2	1.8
Pedestals (centre distance 60 cm) <b>A</b>	10	8.4

### AVERAGE QUANTITY OF JOISTS, PEDESTALS AND ACCESSORIES (joist centre distance 30 cm) **B**

Dimensions and surface area of the laying plan	10 m <sup>2</sup>	50 m <sup>2</sup>
Length	5 m	10 m
Width	2 m	5 m
Quantity of	pcs/m <sup>2</sup>	pcs/m <sup>2</sup>
U-BRS-18	1.6	1.4
Pedestals (centre distance 60 cm) <b>A</b>	8	6.8

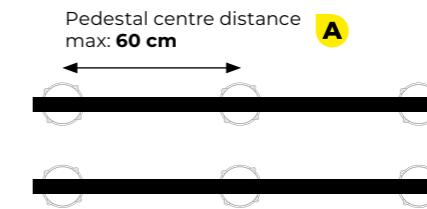
### AVERAGE QUANTITY OF JOISTS, PEDESTALS AND ACCESSORIES (joist centre distance 40 cm) **B**

Dimensions and surface area of the laying plan	10 m <sup>2</sup>	50 m <sup>2</sup>
Length	5 m	10 m
Width	2 m	5 m
Quantity of	pcs/m <sup>2</sup>	pcs/m <sup>2</sup>
U-BRS-18	1.2	1.1
Pedestals (centre distance 60 cm) <b>A</b>	6	4.9

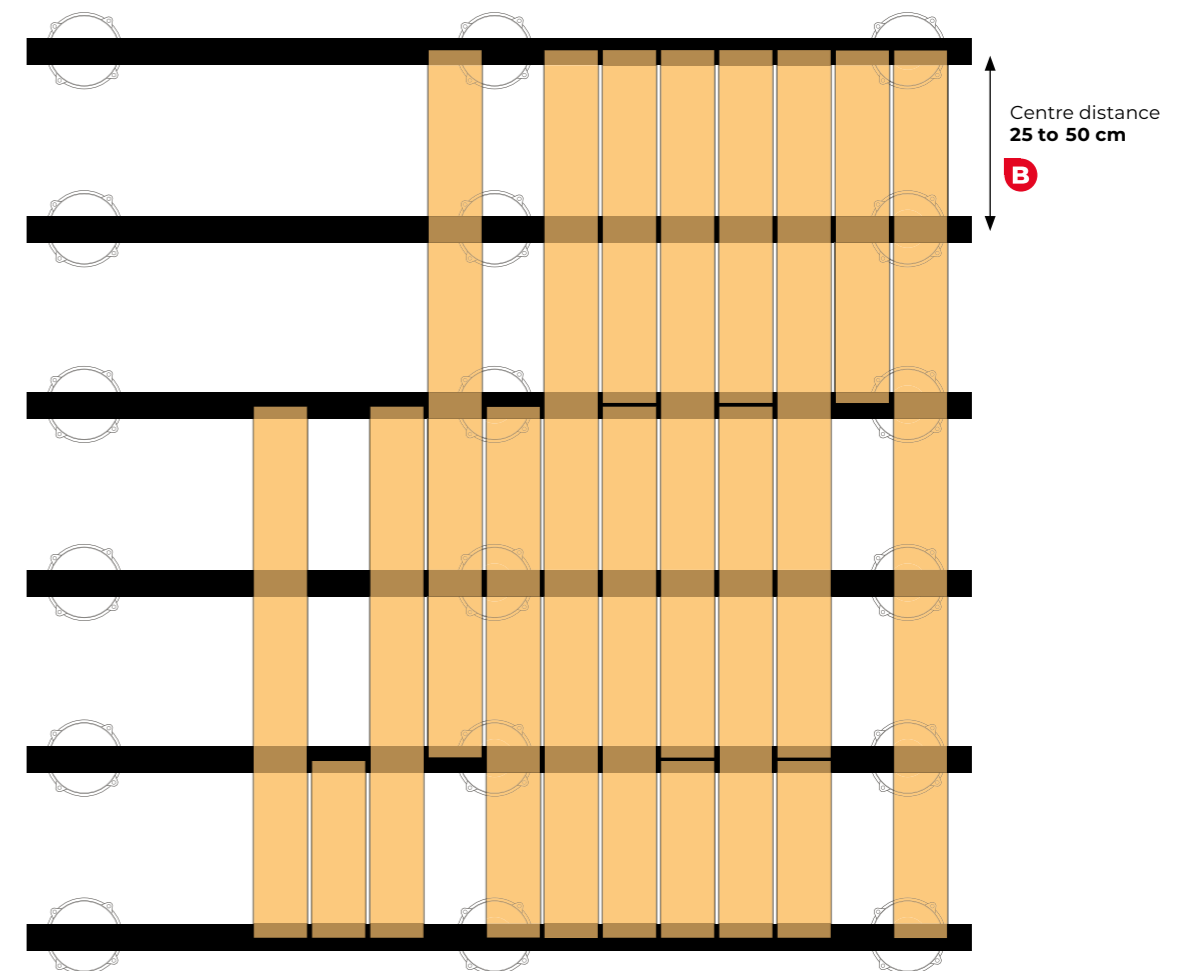
### AVERAGE QUANTITY OF JOISTS, PEDESTALS AND ACCESSORIES (joist centre distance 50 cm) **B**

Dimensions and surface area of the laying plan	10 m <sup>2</sup>	50 m <sup>2</sup>
Length	5 m	10 m
Width	2 m	5 m
Quantity of	pcs/m <sup>2</sup>	pcs/m <sup>2</sup>
U-BRS-18	1	0.9
Pedestals (centre distance 60 cm) <b>A</b>	5	4.2

### POSITION OF PEDESTAL IN U-BRS-18 mm



### POSITION OF THE U-BRS WOOD JOISTS





Buzon Pedestal International s.a.

[sales@buzon-world.com](mailto:sales@buzon-world.com)  
[www.buzon-world.com](http://www.buzon-world.com)

JOIN US ON  YouTube 

All rights reserved. Any copy, reproduction, adaptation, distribution of this catalogue without the authorisation of Buzon Pedestal International is prohibited and will be punished. Buzon Pedestal International reserves the right to modify, add or complete this catalogue at any time without prior notice.