



Data Sheet

U-END LOCK Finishing fitting

COMPOSITION

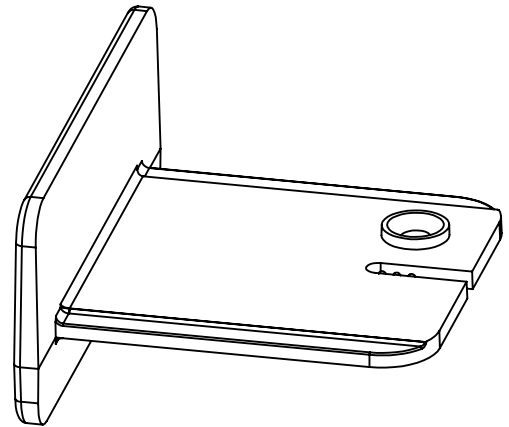
U-END Lock is made up of one piece.

CHARACTERISTICS

Weight: 0.012 kg

MATERIAL

UV Resistant Polycarbonate
Designed and manufactured in Europe.
Use of solely recycled materials from Europe.
Resistant to bad weather, sea salt, algae and a wide variety of chemicals.
Operating temperature: -30°C to +80°C



PACKAGING

Units per box: 120 pcs
Box weight: 3.60 kg
Box dimensions: 400 x 300 x 110 mm
Boxes per pallet: 180 pcs
Units per pallet: 21,600 pcs
Pallet dimensions: 100 x 120 x 220 cm

APPLICATIONS

Fitting intended for use with the PB-End finishing kit or multi-purpose U-Tiles.

SAFETY INSTRUCTIONS

Buzon pedestals and accessories are designed to support raised floors for pedestrians only. They cannot support or be subjected to moving or vibrating machines and equipment. This includes cars, maintenance vehicles and other similar equipment.