



## **Data Sheet**

### **U-BRS-CONNECTOR**

#### **COMPOSITION**

U-BRS CONNECTOR is made up of one piece

#### **CHARACTERISTICS**

Weight: **0.019 kg**

expansion coefficient:  $16 \cdot 10^{-6} 1/K$

E-module: approx. 180,000 N/mm<sup>2</sup>

#### **MATERIAL**

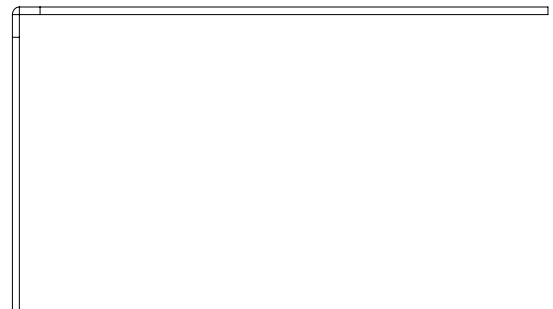
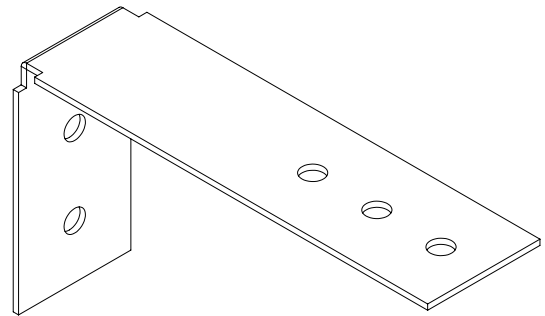
Inox 316 (V4A)

#### **PACKAGING**

Qty per box: **250 pcs**

Box weight: **4.90 kg**

Box dimensions: **335 x 310 x 225 mm**



#### **APPLICATIONS**

U-BRS CONNECTOR is used with our aluminium joists. It enables two joists to be secured.

#### **SAFETY INSTRUCTIONS**

Buzon pedestals and accessories are designed to support raised floors for pedestrians only. They cannot support or be subjected to moving or vibrating machines and equipment. This includes cars, maintenance vehicles and other similar equipment.