



Data Sheet

U-BRS-38-B Aluminium Joist 38 mm

COMPOSITION

U-BRS-38-B is made up of one piece

CHARACTERISTICS

Weight: 1.07 kg/ml - 2.570 kg/pc

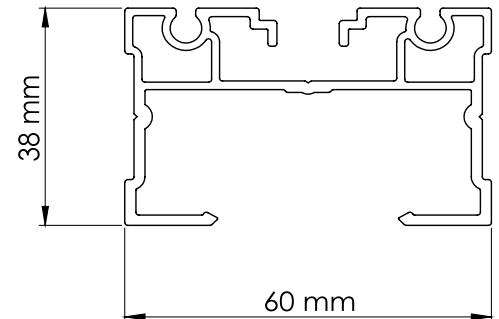
Dimensions: 2400 x 60 x 38 mm

Material: AL6060 T6

Colour: black (anodised black)

Made up of over 70% recycled aluminium on average.

ASI certified production sites – Performance standard



PACKAGING

Units per box: 1 pcs

Box weight: 2.570 kg

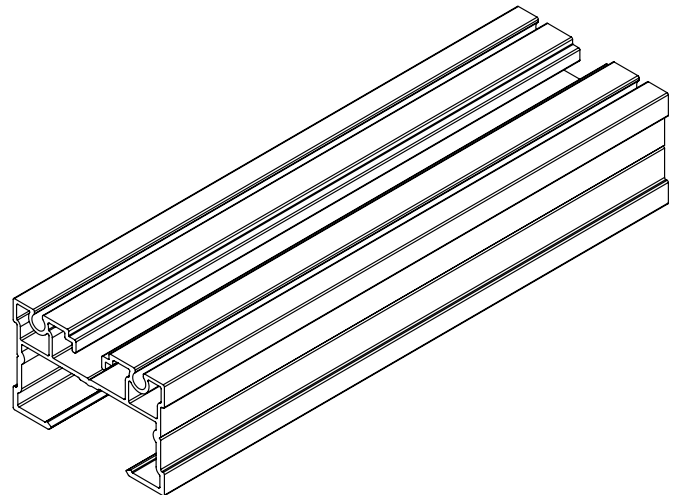
Box dimensions: 2400 x 60 x 38 mm

Boxes per pallet: 126 pcs

Units per pallet: 126 pcs

Pallet Dimensions: 240 x 60 x 68 cm

Pallet weight: 313 kg



APPLICATIONS

The U-BRS-B-38 mm aluminium joist allows and facilitates the installation of 20 mm ceramic tiles of all thicknesses. Its thickness of only 38 mm means that a minimum reservation of only 55 mm is needed under the tile.

SAFETY INSTRUCTIONS

Buzon pedestals and accessories are designed to support raised floors for pedestrians only. They cannot support or be subjected to moving or vibrating machines and equipment. This includes cars, maintenance vehicles and other similar equipment.

