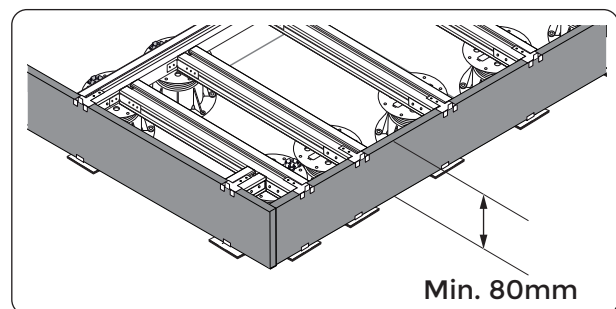
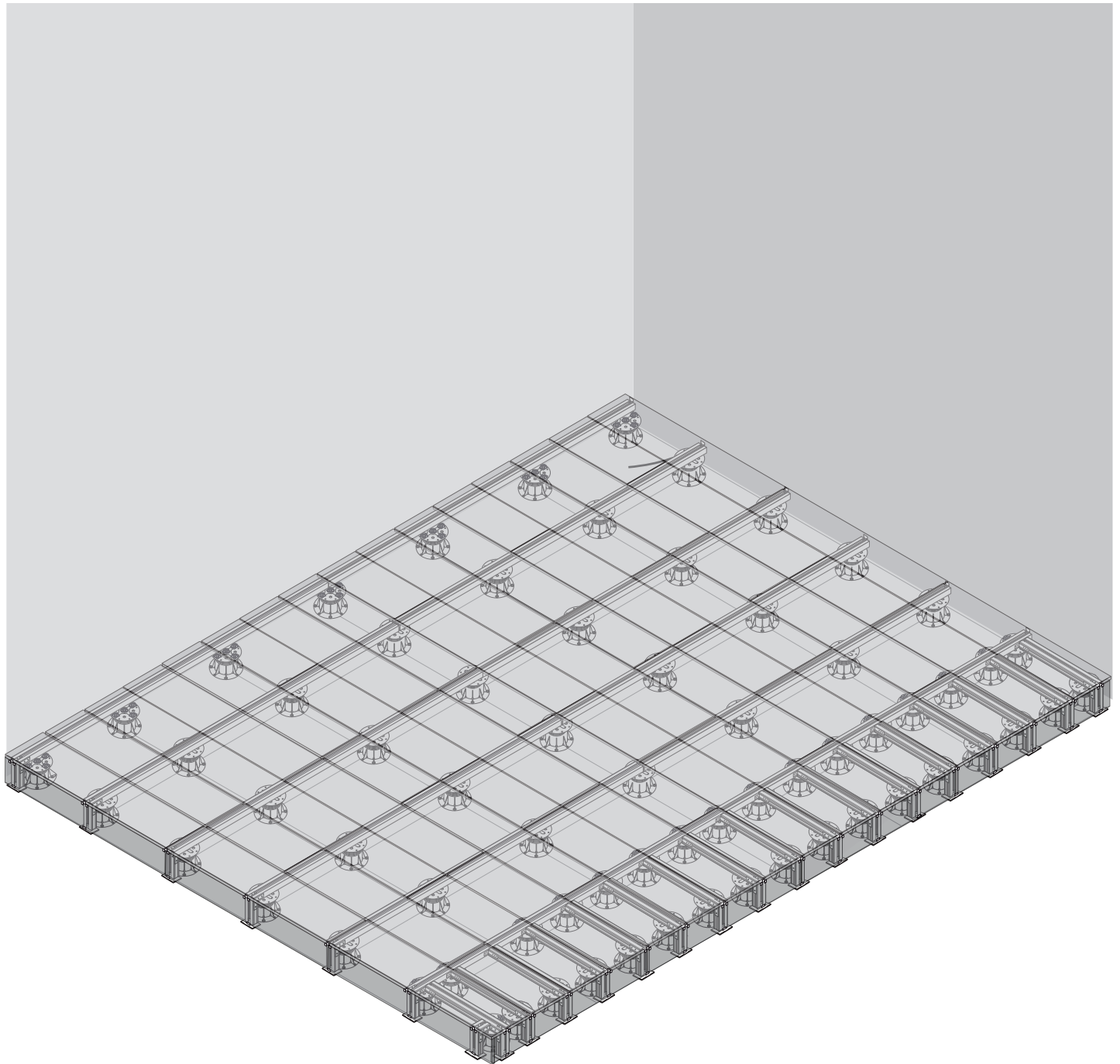




# Installation of ceramic plinths on U-BRS-38 PB-01 to PB-11

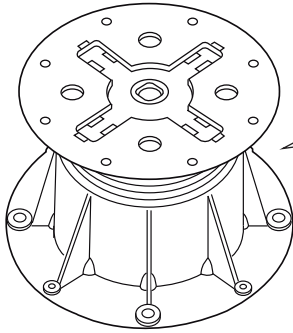
## PB-Series

p.1 ©copyright, 2020, BUZON PEDESTAL INTERNATIONAL

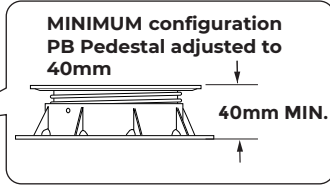


Ref. 43C GNO 71- Rev.3 - 2/07/2020

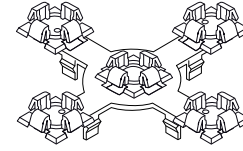
This is not a contractual document and consists only of a suggestion for use. Subject to error, omission or modification



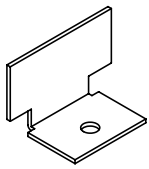
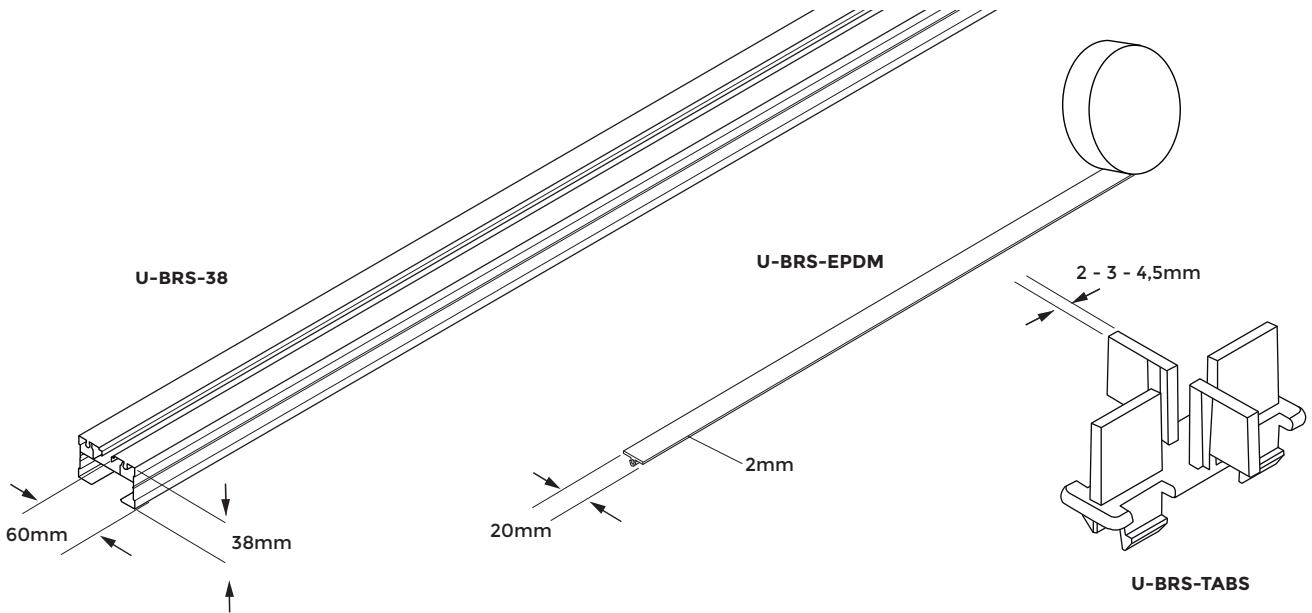
PB-Series



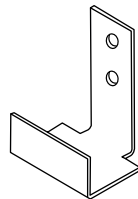
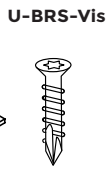
PB-KIT-8



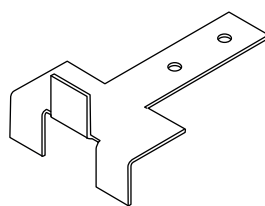
PB-KIT-2



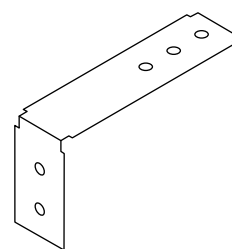
U-BRS-STOP



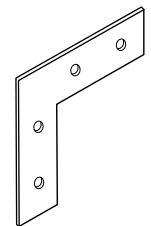
U-BRS-END-BASE



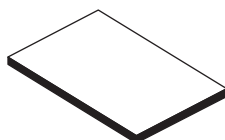
U-BRS-END-TOP



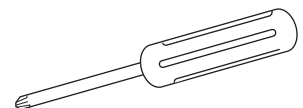
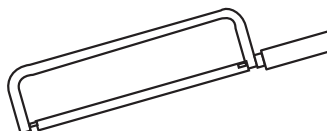
U-BRS-CONNECTOR



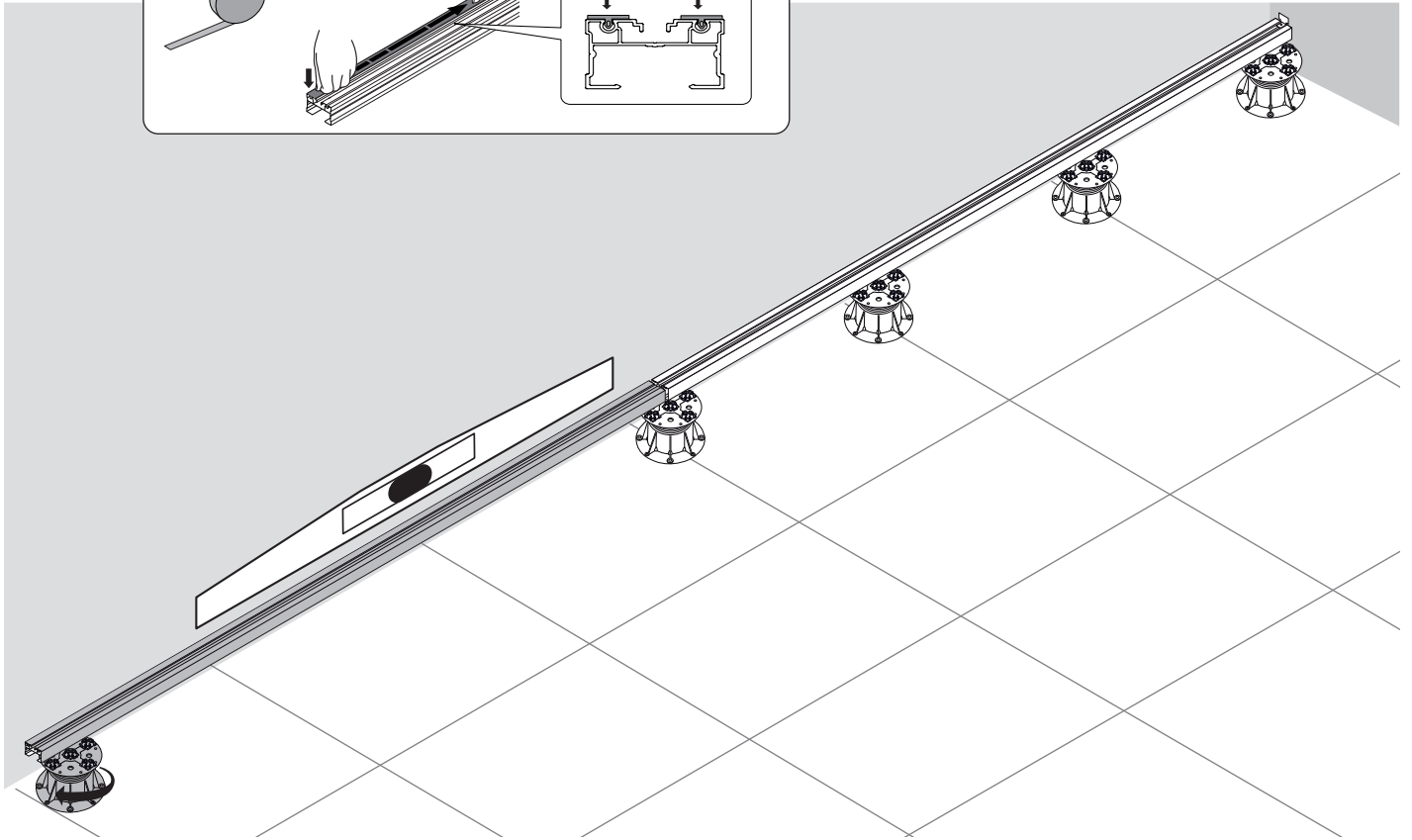
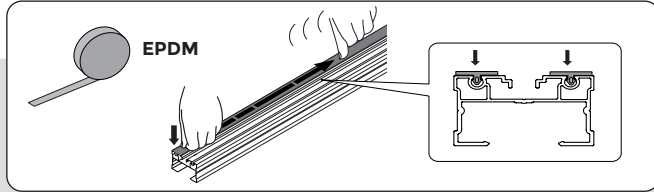
U-BRS-END 90°



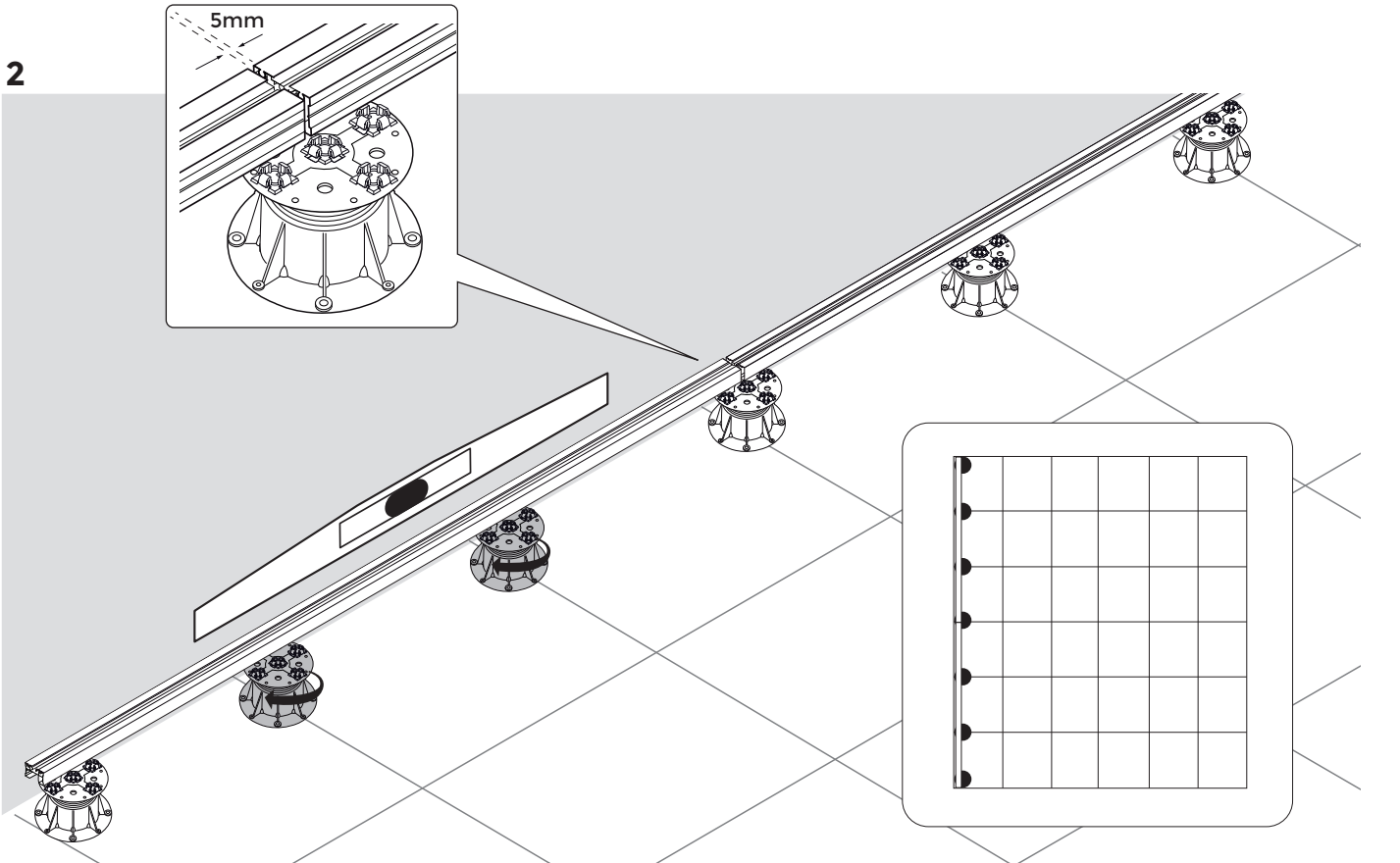
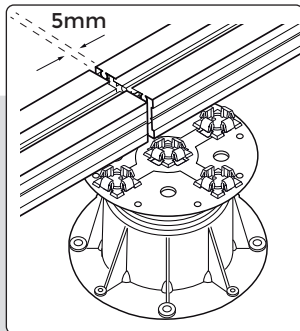
U-Pad 90x60x6mm



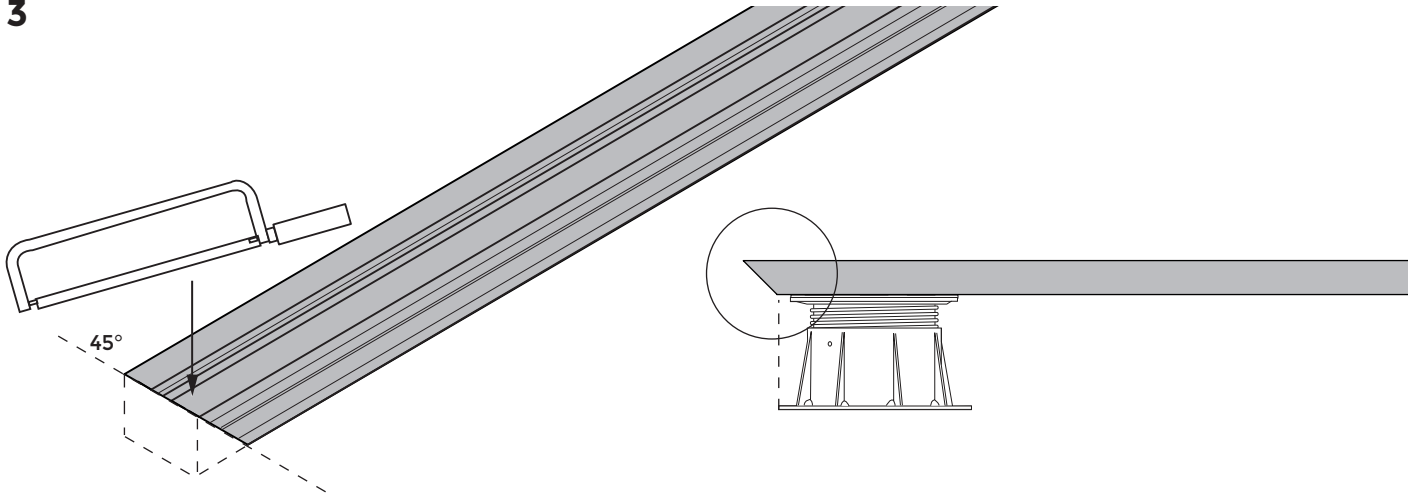
1



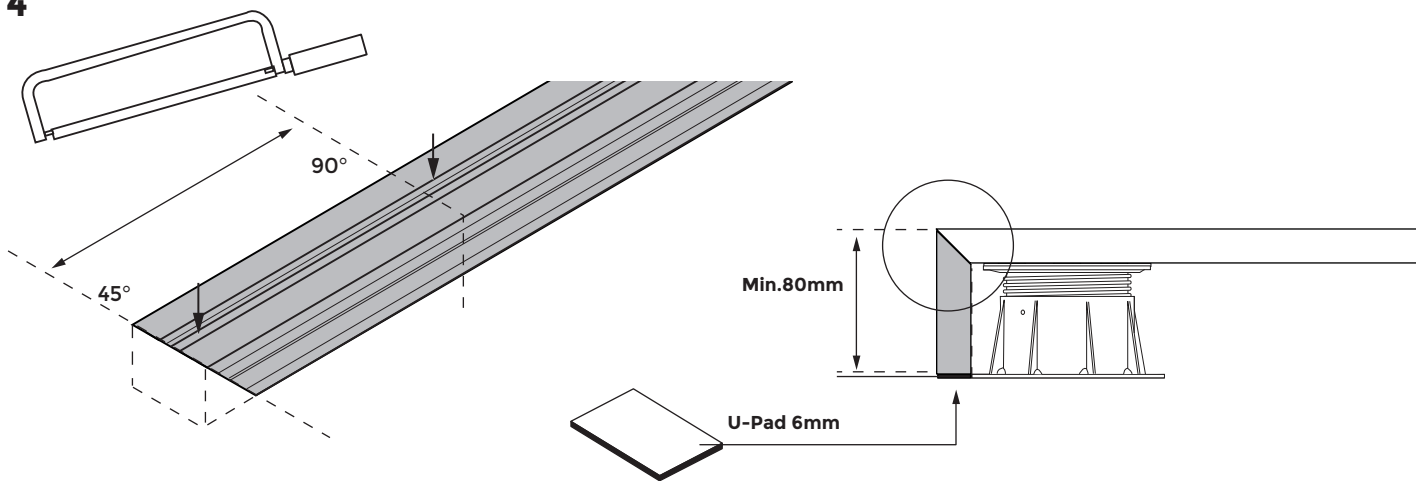
2



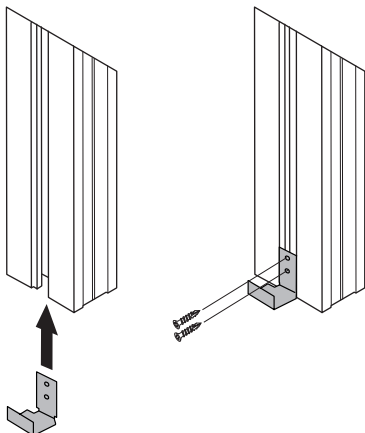
3



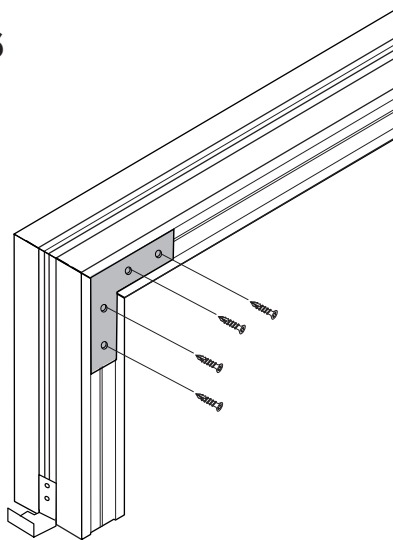
4



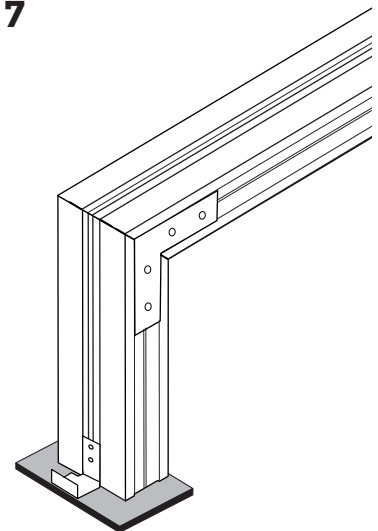
5



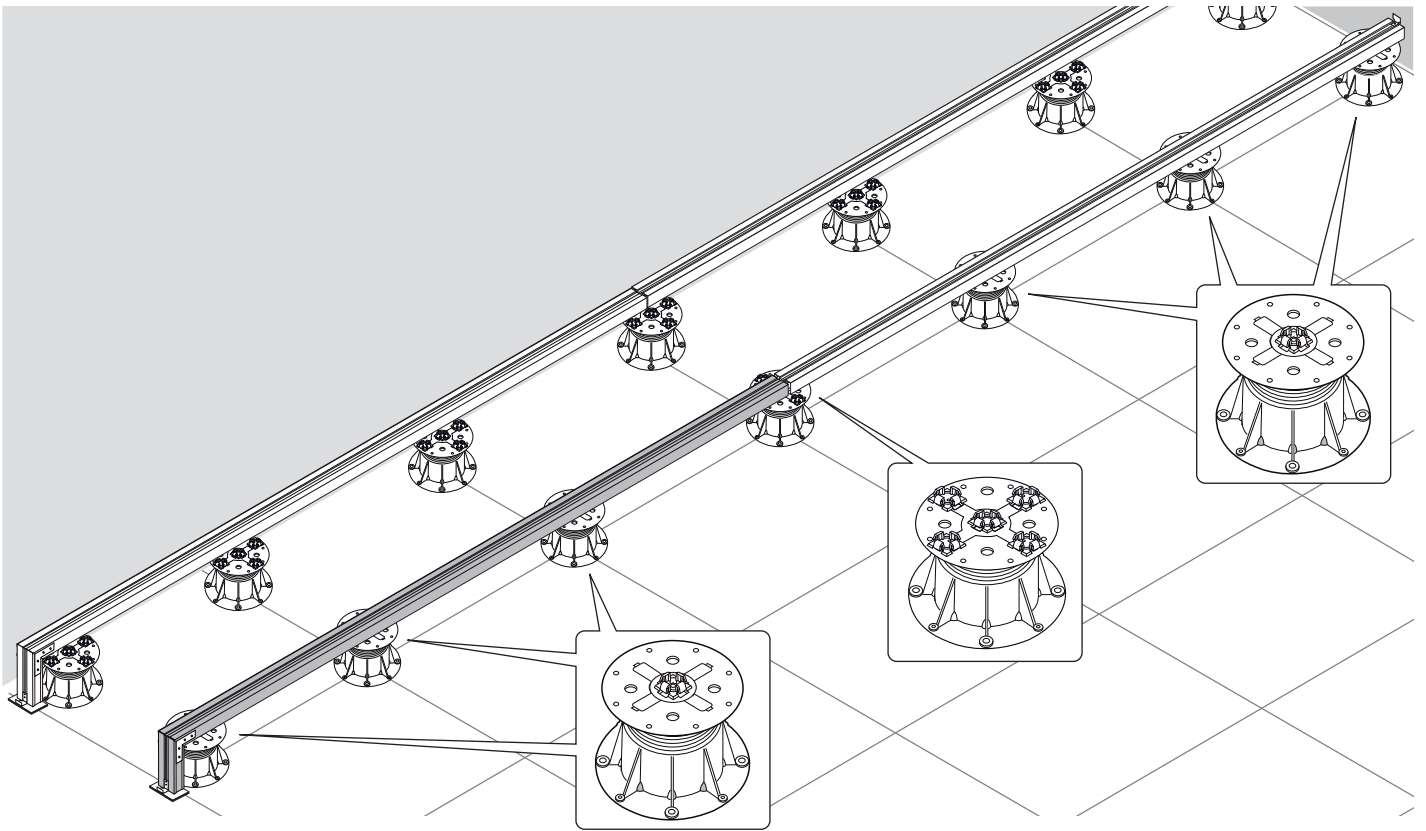
6



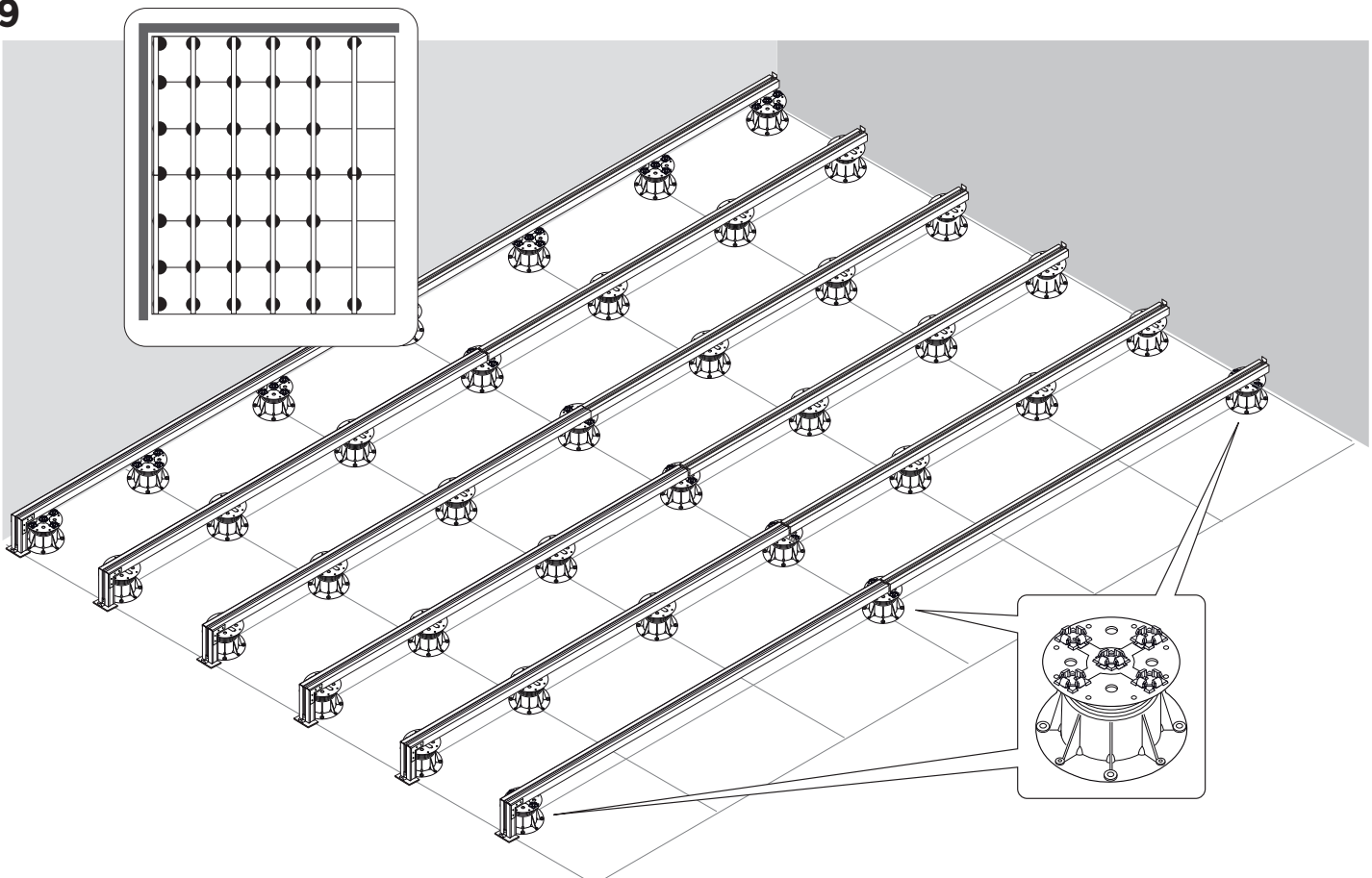
7



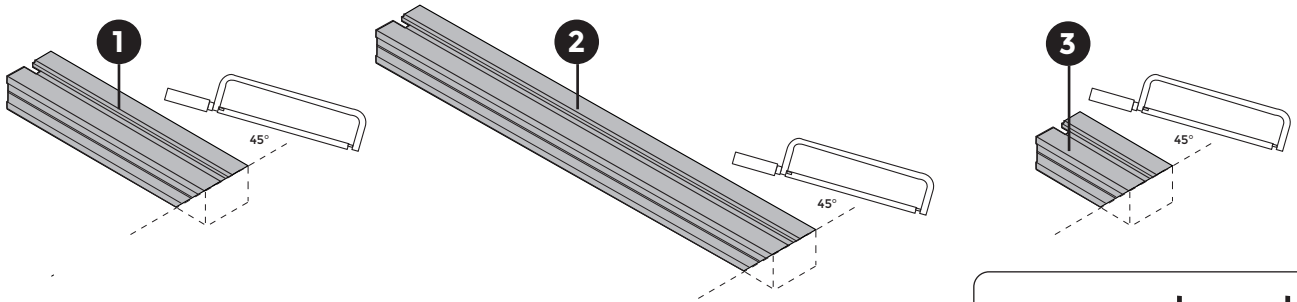
8



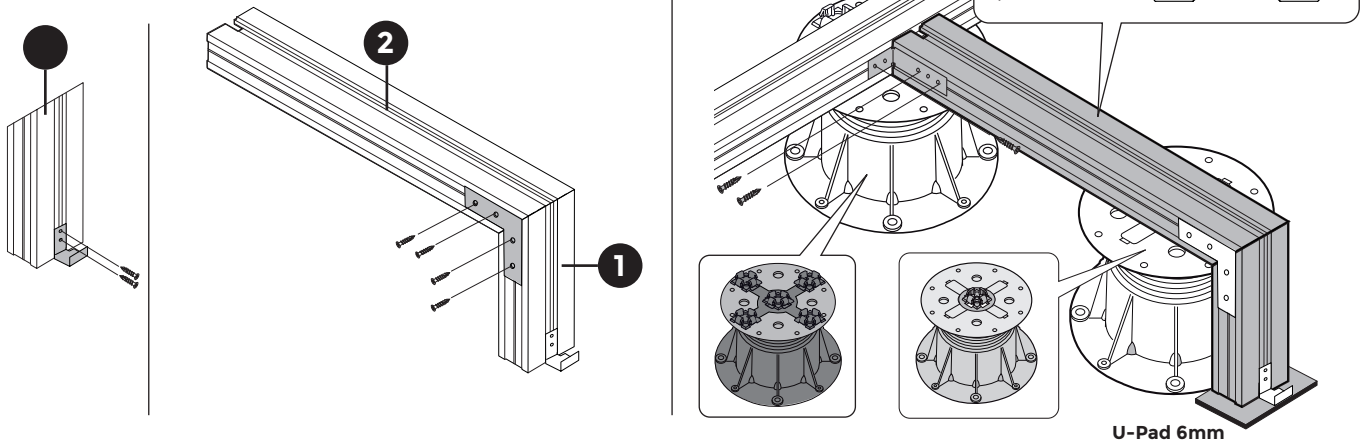
9



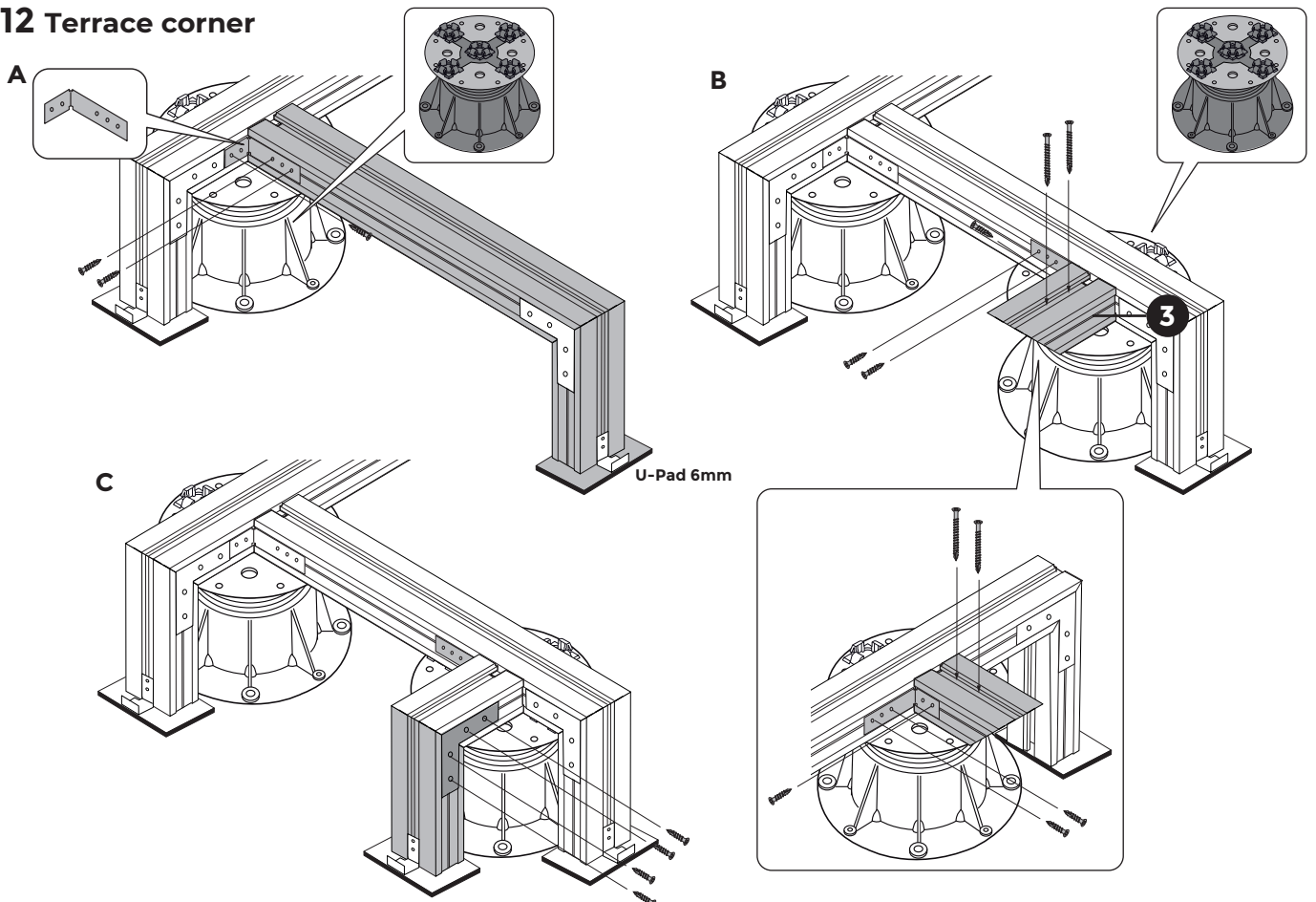
10

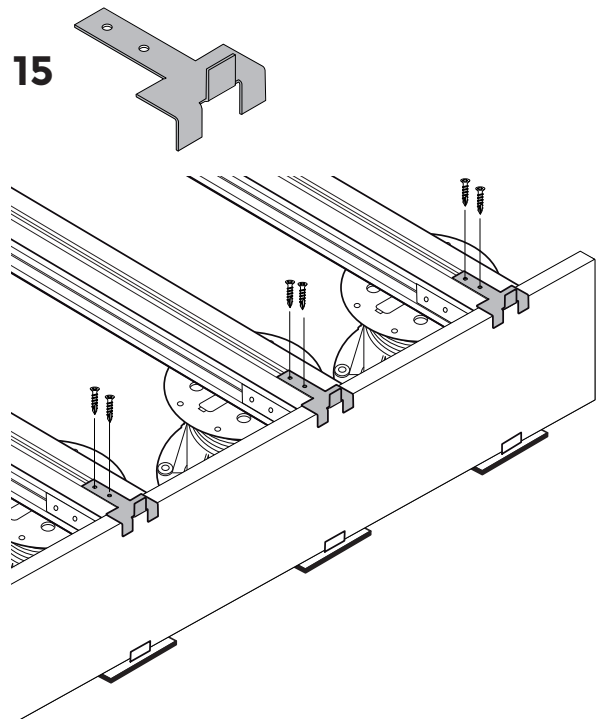
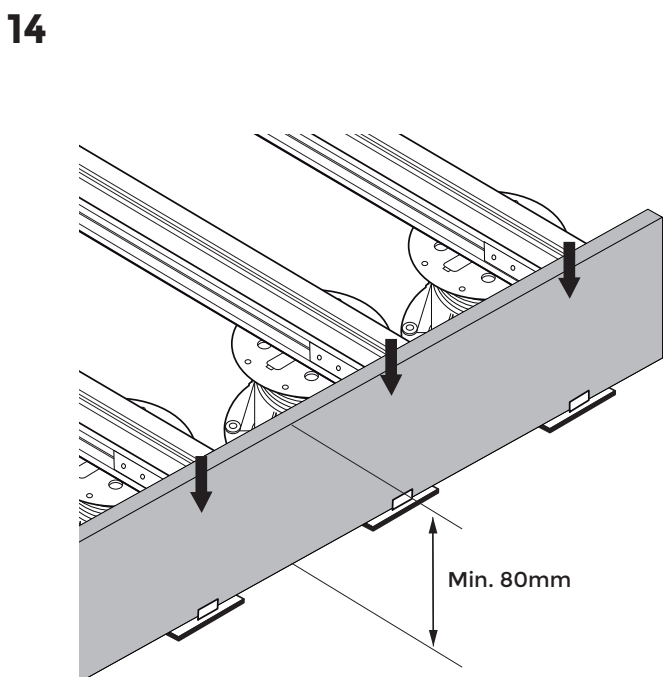
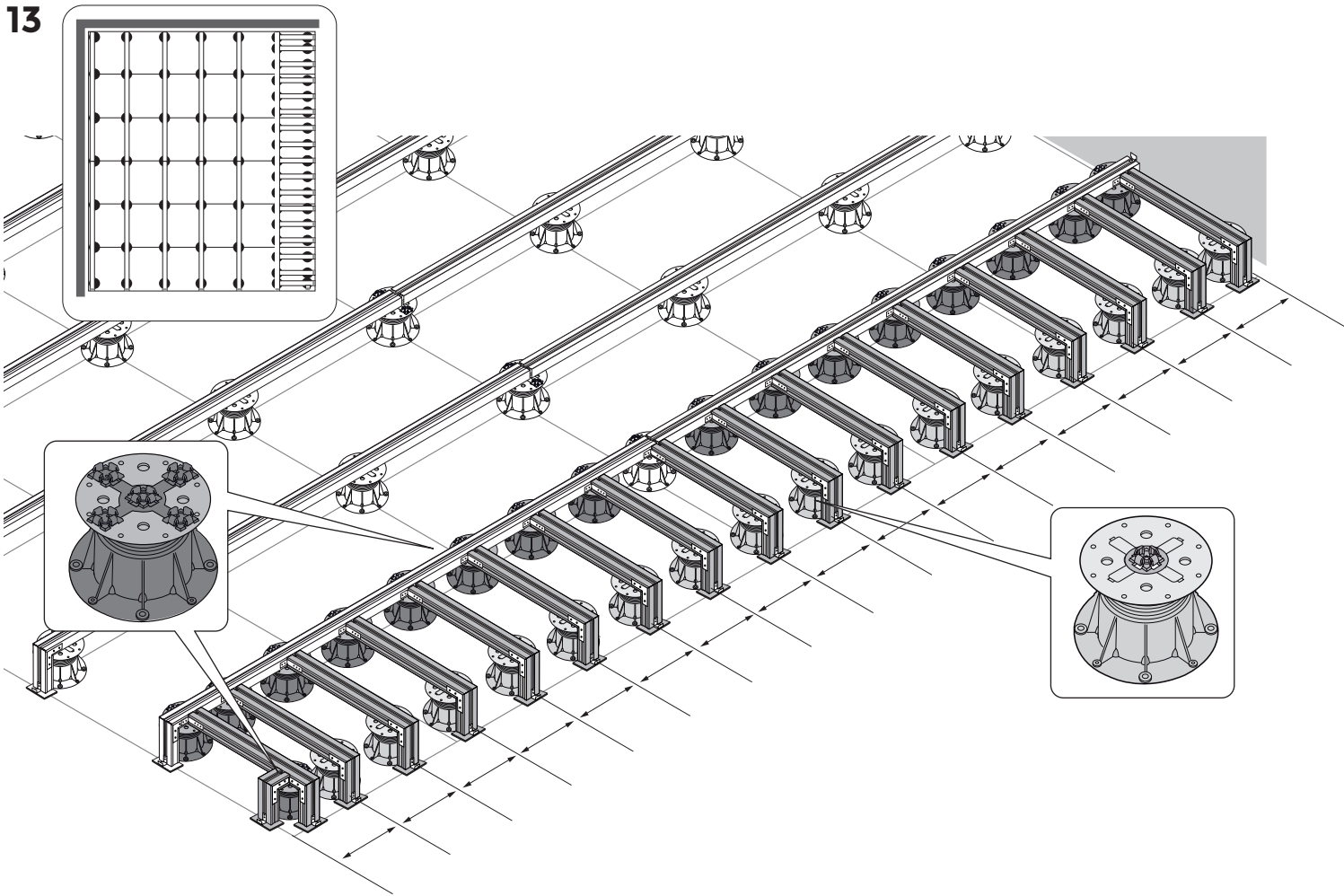


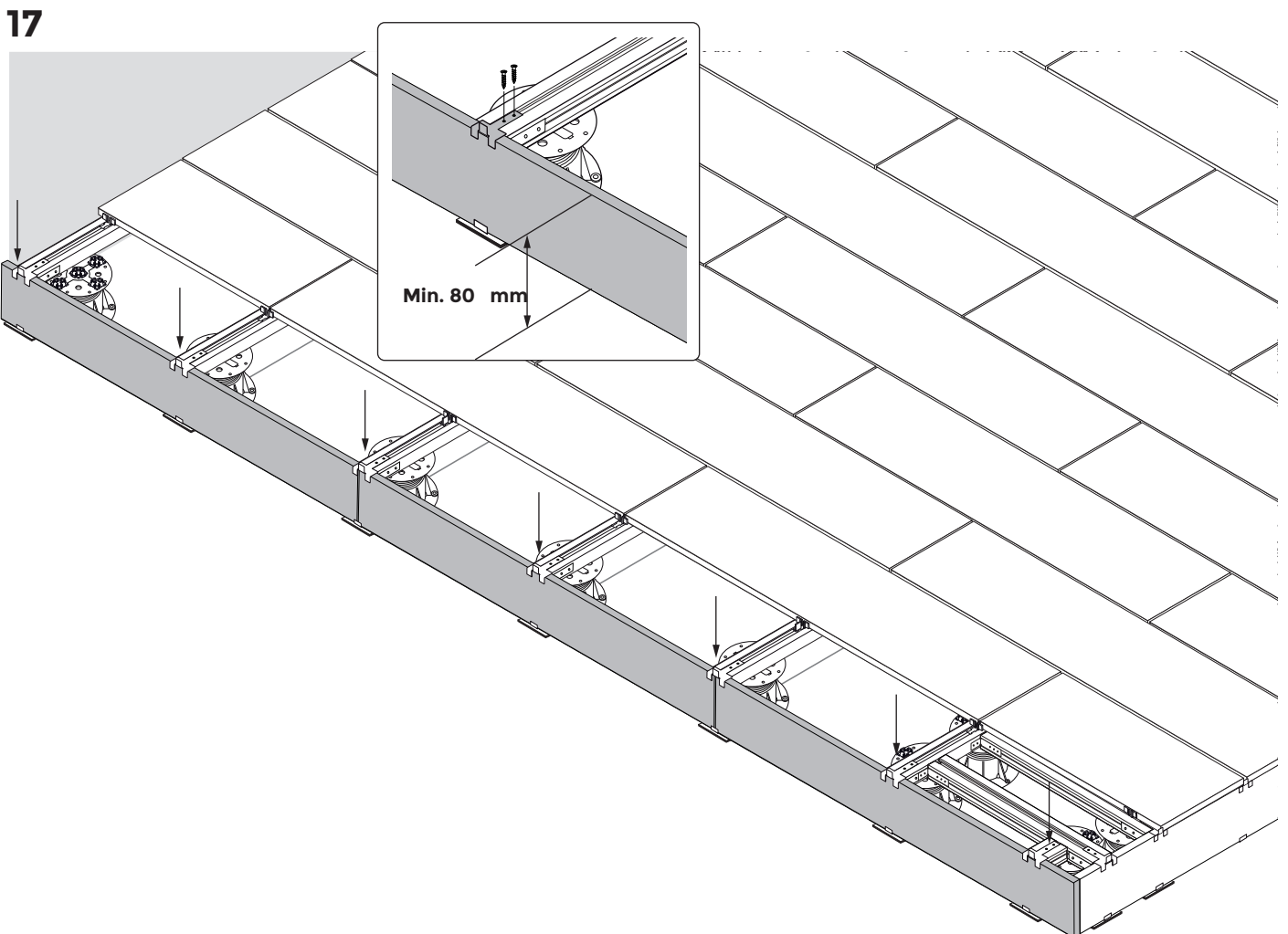
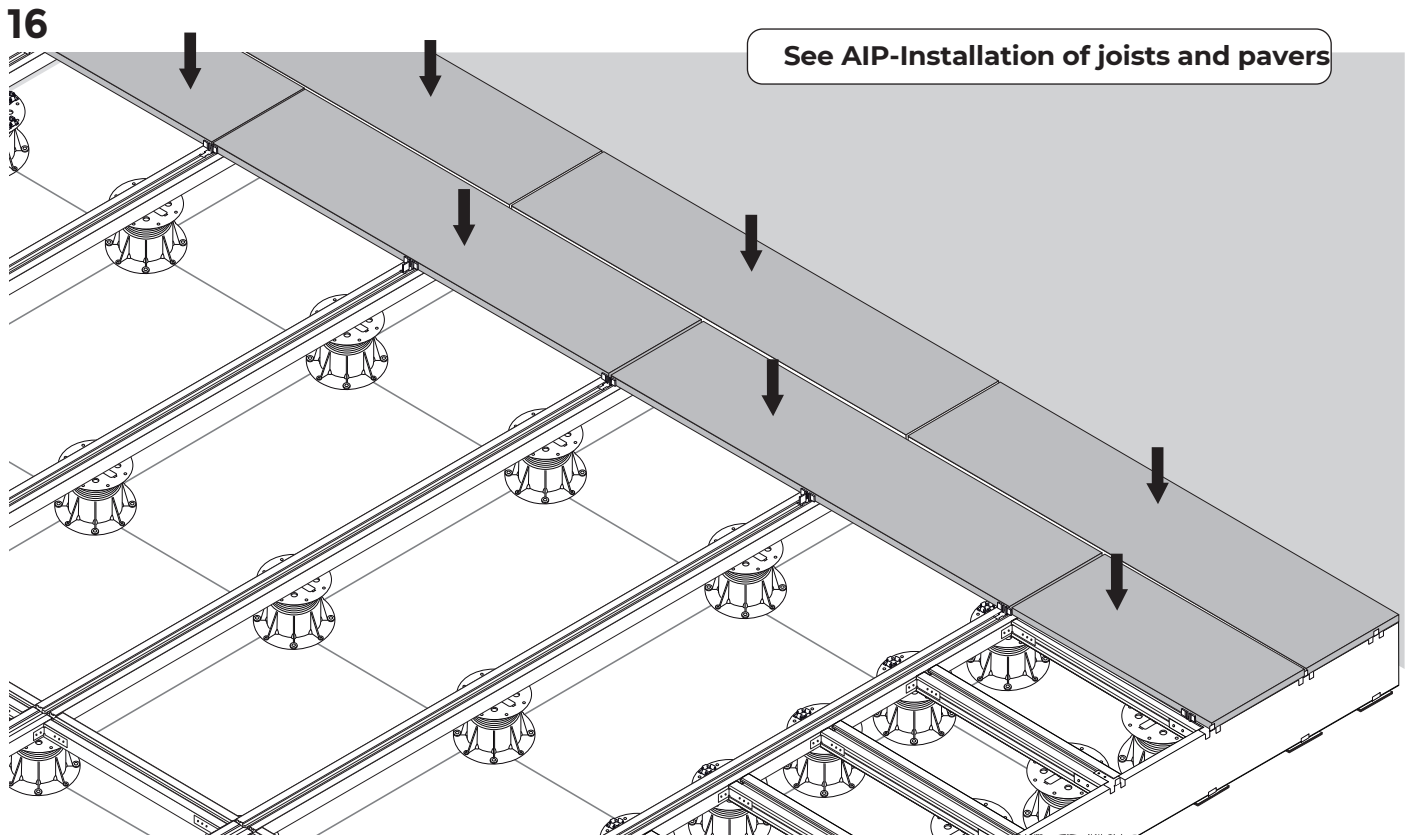
11 Terrace perimeter



12 Terrace corner

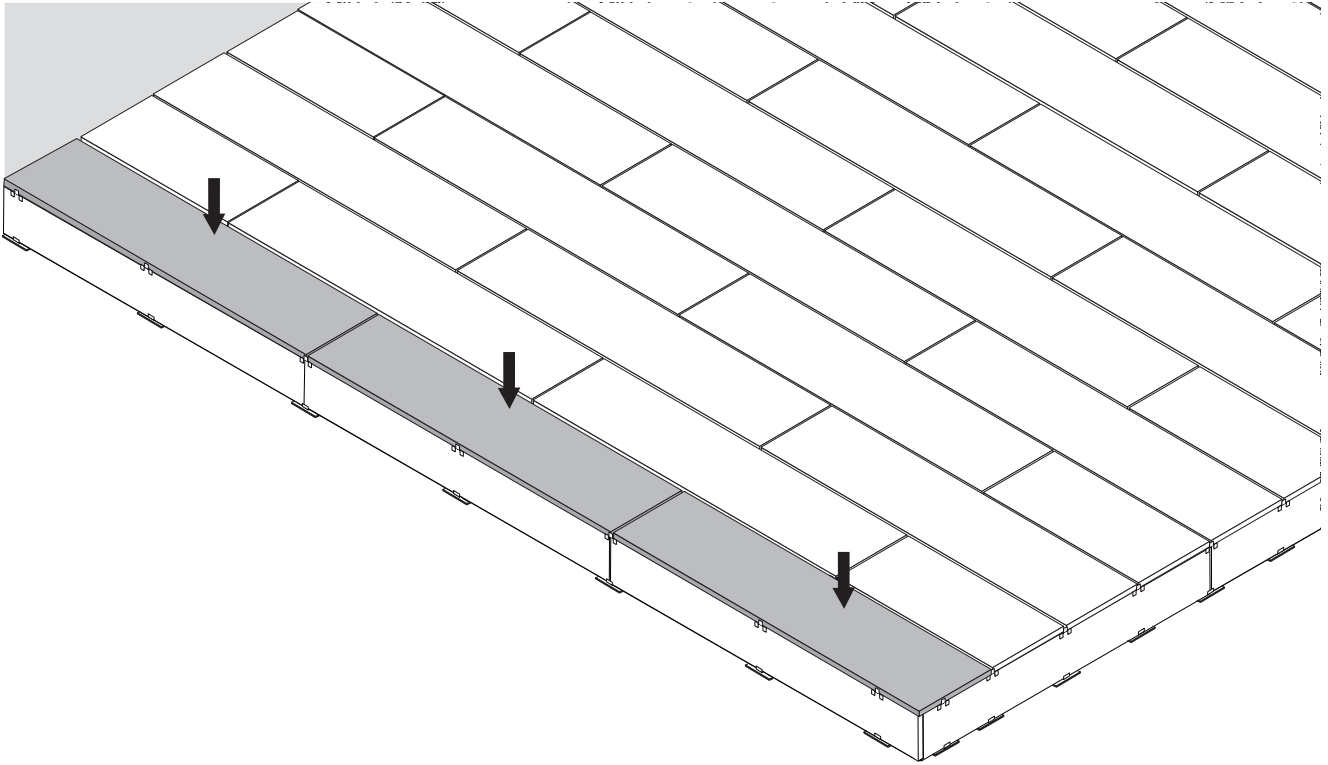








**18**



**19**

